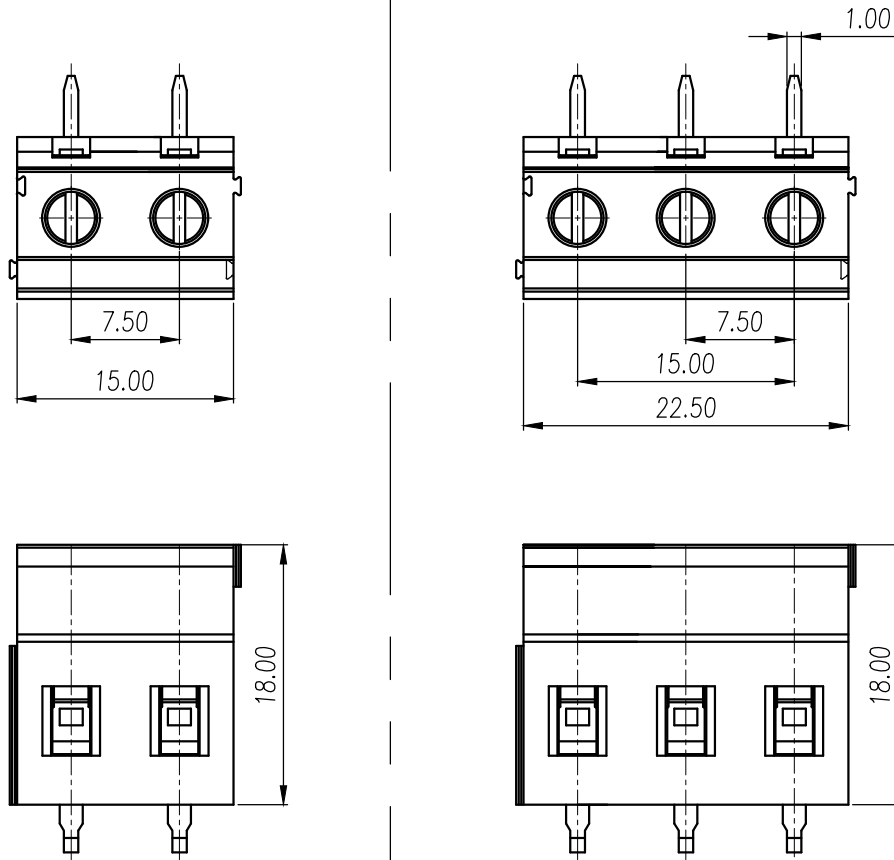


REVISION RECORD			
REV.	CONTENT	MOD.	DATE
△	初版发行		

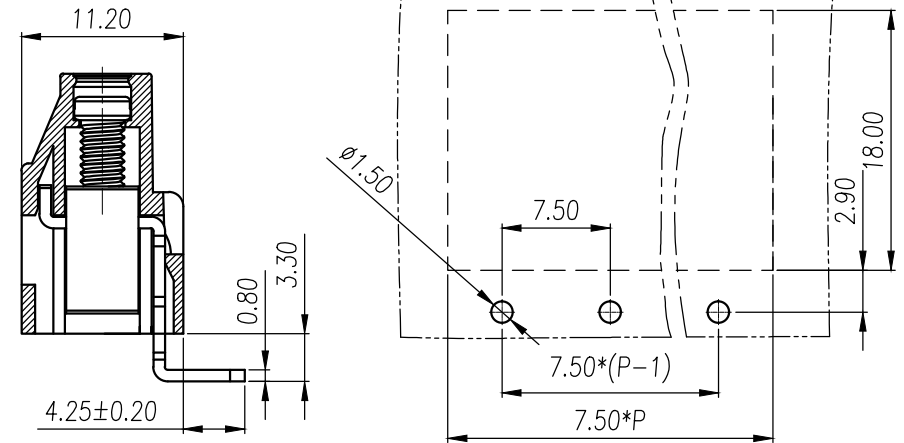


NOTES:

1. Voltage Rating: 300V, Current Rating: 18A
2. PITCH: 7.5mm
3. Insulation Withstands Voltage: AC2500V/min
4. Insulation Resistance: 500MΩ or more at DC500V
5. Using Temperature Range: -40° C - +105° C
6. Suitable Electric Wire: AWG 26-12
7. Screw Torque Value: 0.5Nm

技术要求:

1. 额定电压: 300V, 额定电流: 18A
2. 间距: 7.5mm
3. 耐压值: AC 2500V/min
4. 绝缘电阻: 500兆欧/DC500V
5. 使用条件: -40° - +105°
6. 适用线规: AWG 26-12
7. 螺丝扭力: 0.5Nm

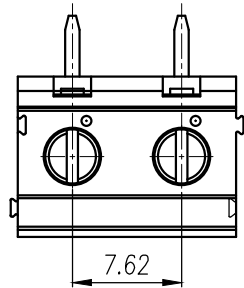


4.	LG129-焊脚	2018B0002AV	P	黄铜	镀雾锡
3.	LG129-铜方块	F1A0BLG1293V	P	黄铜	镀镍
2.	LG129-螺丝	SP0FA306701V	P	碳钢	三价铬钝化彩锌
1	LG129-7.5-本体(带拼接)	2008A0YXXAVP	1	PA66-V0	
NO.	NAME OF PART	NO. OF PART	Q'TY	MATERIAL	NOTES
DES.	ARKINE	DATE	11-03-13	UNITS	mm
CHK.		DATE		SIZE	A4
APP.		DATE		SCALE	1:1
				DWG NO.	SP-2-2008002
				REV:	V0
				TITLE	LG129R-7.5-XXP-1Y-00A
					LG129R-7.5-成品(带拼接)

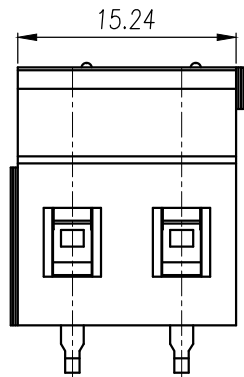
		linear dimension					—	≡	▱	//	⊥
variable	to	over 6	over 30	over 50	over 100	over 150			over 5	over 30	over 120
range	to	to 30	to 50	to 100	to 150	to 200	all	to 5	to 30	to 120	
Tolerance		±0.03	±0.05	±0.1	±0.2	±0.25	±0.25%	±0.025	±0.06	±0.15	±0.3

REVISION RECORD

REV.	CONTENT	MOD.	DATE
△	初版发行		

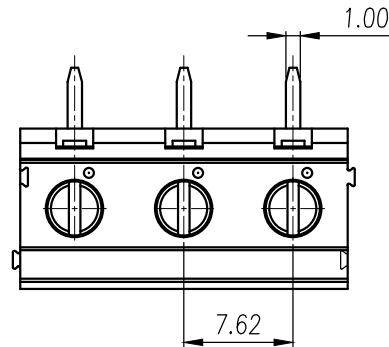


7.62



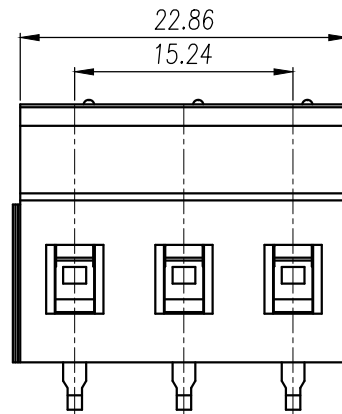
15.24

<2P>



1.00

7.62



22.86

15.24

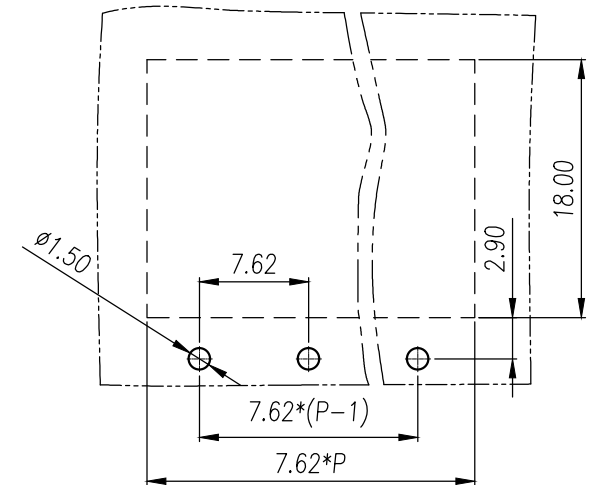
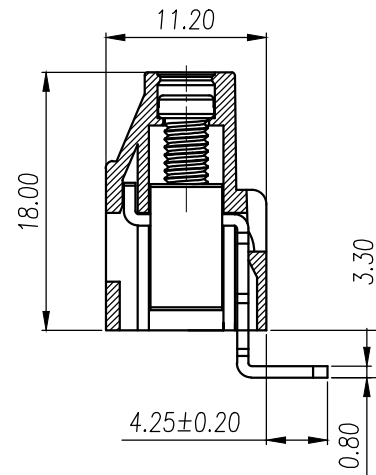
<3P>

NOTES:

1. Voltage Rating: 300V, Current Rating: 18A
2. PITCH: 7.62mm
3. Insulation Withstands Voltage: AC2500V/min
4. Insulation Resistance: 500MΩ or more at DC500V
5. Using Temperature Range: -40° C - +105° C
6. Suitable Electric Wire: AWG 26-12
7. Screw Torque Value: 0.5Nm

技术要求:

1. 额定电压: 300V, 额定电流: 18A
2. 间距: 7.62mm
3. 耐受电压值: AC 2500V/min
4. 绝缘阻抗: 500兆欧/DC500V
5. 使用条件: -40° - +105° C
6. 适用线规: AWG 26-12
7. 螺丝扭力: 0.5Nm



		linear dimension					—	≡	▱	//	⊥
variable range	to	over 6 to 30	over 30 to 50	over 50 to 100	over 100 to 150	over 150 to 200	all	to 5	over 5 to 30	over 30 to 120	over 120
Tolerance	±0.03	±0.05	±0.1	±0.2	±0.25	±0.35	0.25%	±0.025	±0.06	±0.15	±0.3

4.	LG129-焊脚	2018B0002AV	P	黄铜	镀雾锡
3.	LG129-铜方块	F1A0BLG1293V	P	黄铜	镀镍
2.	LG129-螺丝	SP0FA306701V	P	碳钢	三价铬钝化彩锌
1	LG129-7.62-本体(带拼接)	2009A0YXXAVP	1	PA66-V0	
NO.	NAME OF PART	NO. OF PART	Q'TY	MATERIAL	NOTES
DES.	ARKINE	DATE	11-03-13	UNITS	mm
CHK.	DATE	SIZE	A4	THIRD ANGLE PROJECTION	
APP.	DATE	SCALE	1:1	DWG NO.	SP-2-2009002
				TITLE	LG129R-7.62-XXP-1Y-00A
					LG129R-7.62-成品(带拼接)