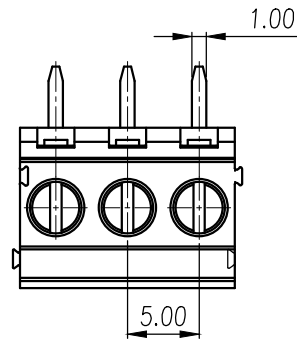
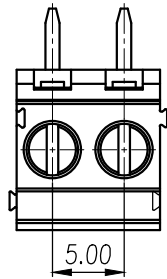


REVISION RECORD

REV.	CONTENT	MOD.	DATE
△	初版发行		

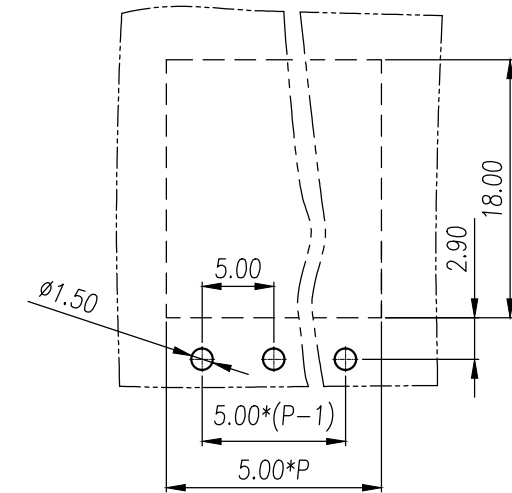
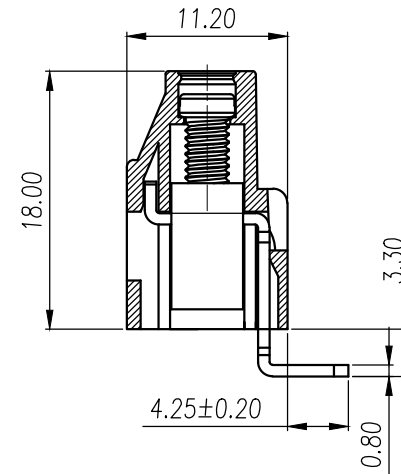
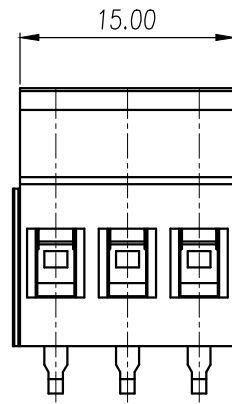
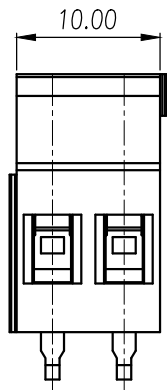


NOTES:

1. Voltage Rating: 300V, Current Rating: 18A
2. PITCH: 5.0mm
3. Insulation Withstands Voltage: AC2500V/min
4. Insulation Resistance: 500MΩ or more at DC500V
5. Using Temperature Range: -40° C - +105° C
6. Suitable Electric Wire: AWG 26-12
7. Screw Torque Value: 0.5Nm

技术要求:

1. 额定电压: 300V, 额定电流: 18A
2. 间距: 5.0mm
3. 耐电压值: AC 2500V/min
4. 绝缘阻抗: 500兆欧/DC500V
5. 使用条件: -40° - +105°
6. 适用线规: AWG 26-12
7. 螺丝扭力: 0.5Nm



<2P>

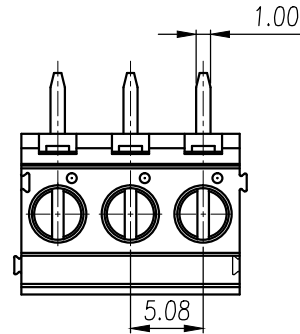
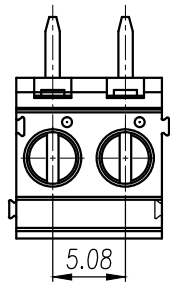
<3P>

		linear dimension					—	≡	▱	//	⊥
variable range	to	over 6	over 30	over 50	over 100	over 150	all	to 5	over 30	over 120	
	to	to 30	to 50	to 100	to 150	to 200		to 5	to 120		
Tolerance		±0.03	±0.05	±0.1	±0.2	±0.25	0.25%	±0.025	±0.06	±0.15	
										±0.3	

4.	LG129R-焊脚	2018B0002AV	P	黄铜	镀雾锡
3.	LG129-铜方块	F1A0BLG1293V	P	黄铜	镀镍
2.	LG129-螺丝	SP0FA306701V	P	碳钢	三价铬钝化彩锌
1	LG129-5.0-本体(带拼接)	2018A0YXXAVP	1	PA66-V0	
NO.	NAME OF PART	NO. OF PART	Q'TY	MATERIAL	NOTES
DES.	ARKINE	DATE	11-03-13	UNITS	mm
CHK.		DATE		SIZE	A4
APP.		DATE		SCALE	1:1
				DWG NO.	SP-2-2018002
				REV:	V0
上海联捷电气有限公司 Shanghai Elinker Electric C. O, LTD				TITLE	LG129R-5.0-XXP-1Y-00A LG129R-5.0-成品(带拼接)

REVISION RECORD

REV.	CONTENT	MOD.	DATE
△	初版发行		

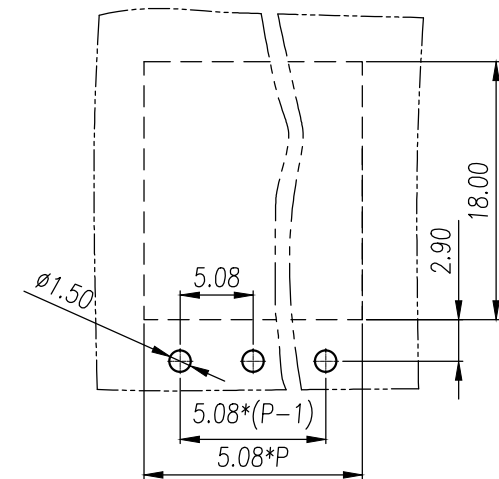
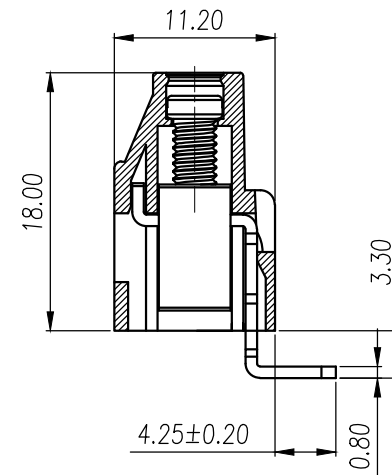
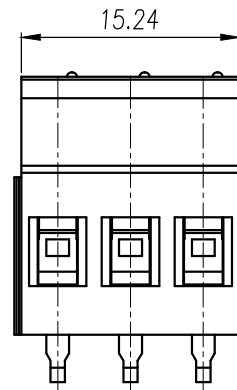
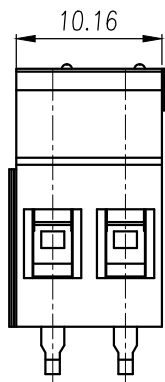


NOTES:

1. Voltage Rating: 300V, Current Rating: 18A
2. PITCH: 5.08mm
3. Insulation Withstands Voltage: AC2500V/min
4. Insulation Resistance: 500MΩ or more at DC500V
5. Using Temperature Range: -40° C - +105° C
6. Suitable Electric Wire: AWG 26-12
7. Screw Torque Value: 0.5Nm

技术要求:

1. 额定电压: 300V, 额定电流: 18A
2. 间距: 5.08mm
3. 耐受电压值: AC 2500V/min
4. 绝缘阻抗: 500兆欧/DC500V
5. 使用条件: -40° - +105° C
6. 适用线规: AWG 26-12
7. 螺丝扭力: 0.5Nm



<2P>

<3P>

		linear dimension					—	≡	▱	//	⊥
variable range	to	over 6 to 30	over 30 to 50	over 50 to 100	over 100 to 150	over 150 to 200	all	to 5	over 5 to 30	over 30 to 120	over 120
Tolerance		±0.03	±0.05	±0.1	±0.2	±0.25	±0.25%	±0.025	±0.06	±0.15	±0.3

4.	LG129R-焊脚	2018B0002AV	P	黄铜	镀锡
3.	LG129-铜方块	F1A0BLG1293V	P	黄铜	镀镍
2.	LG129-螺丝	SP0FA306701V	P	碳钢	三价铬钝化彩锌
1	LG129-5.08-本体(带拼接)	2007A0YXXAVP	1	PA66-V0	
NO.	NAME OF PART	NO. OF PART	Q'TY	MATERIAL	NOTES
DES.	ARKINE	DATE 11-03-13	UNITS	mm	THIRD ANGLE PROJECTION
CHK.	DATE		SIZE	A4	1 of 1
APP.	DATE		SCALE	1:1	DWG NO. SP-2-2007002 REV: V1
上海联捷电气有限公司 Shanghai Elinker Electric C. O, LTD				TITLE	LG129R-5.08-XXP-1Y-00A LG129R-5.08成品(带拼接)