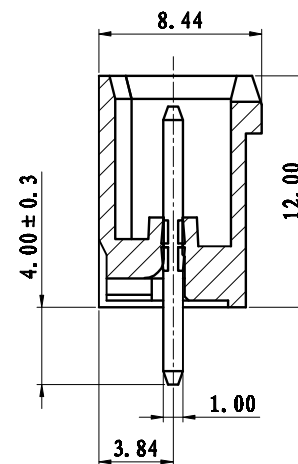
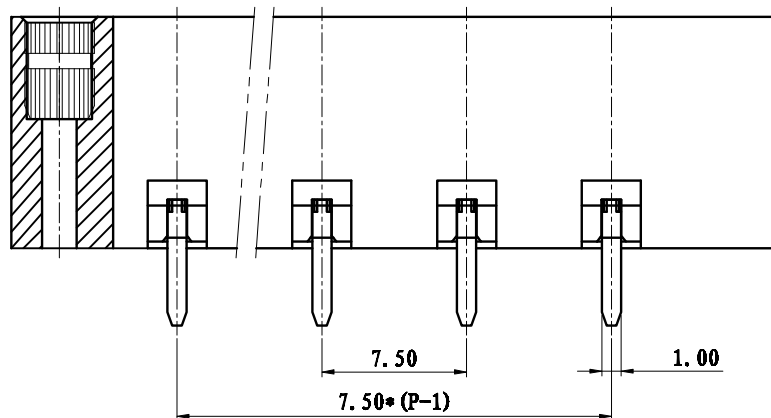
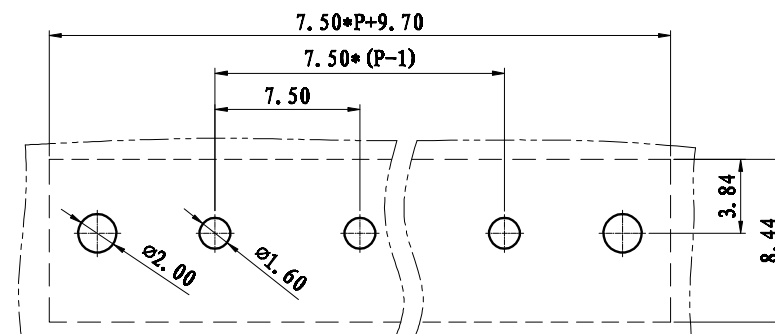
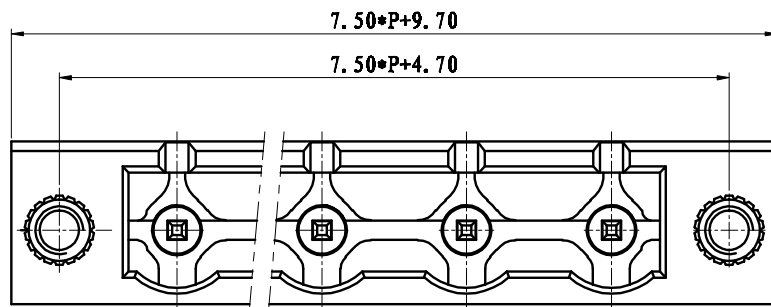


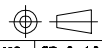
REVISION RECORD			
REV.	CONTENT	MOD.	DATE
△0	初版发行		



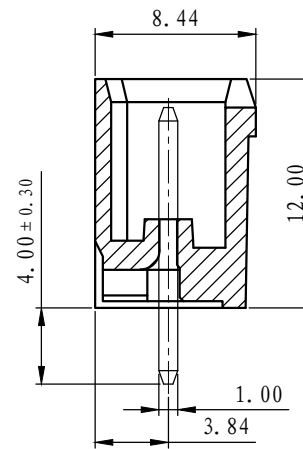
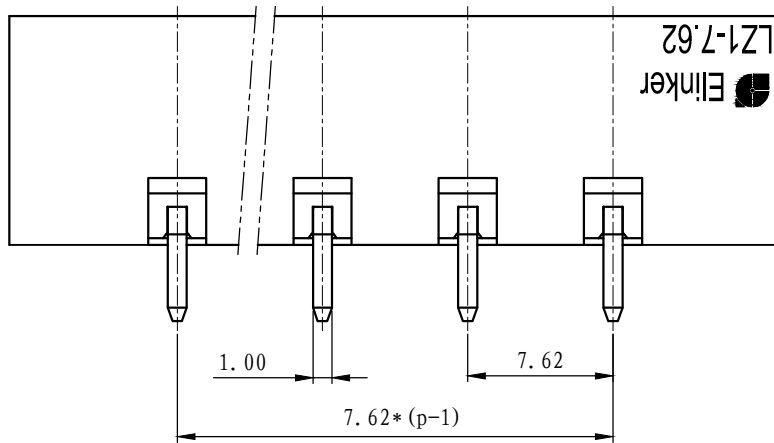
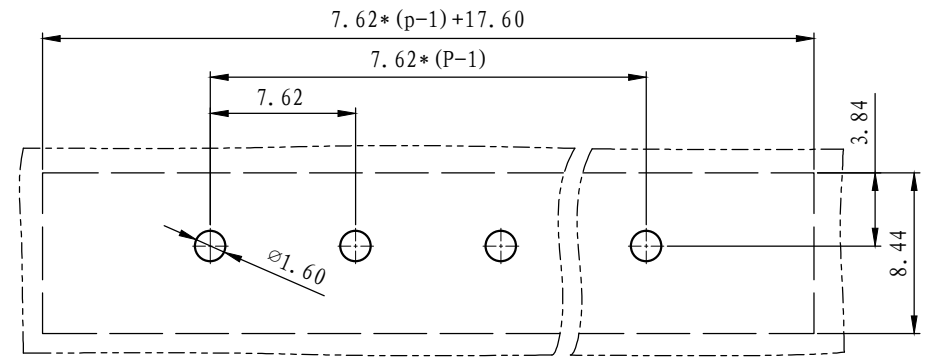
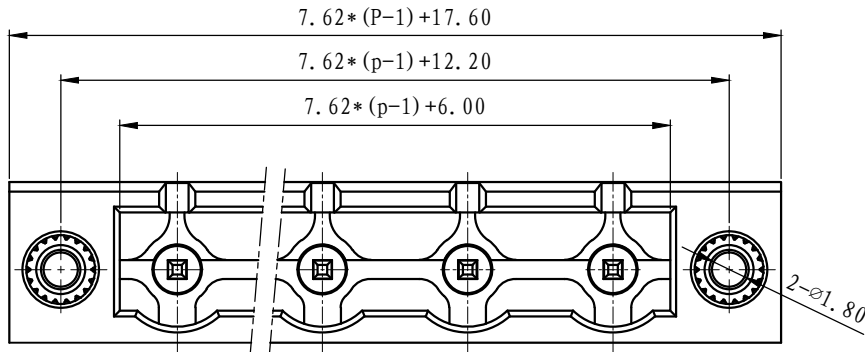
NOTES:  
 Pitch : 7.5mm  
 Rated Voltage : 400V  
 Rated Current : 20A  
 Withstand Voltage :  
 AC2500V for 1 minute  
 Insulation Resistance :  
 500MΩ / DC500V  
 Using Temperature Range :  
 -40℃ ~ +105℃

技术要求:  
 间距: 7.5mm  
 额定电压: 400V  
 额定电流: 20A  
 耐电压值: AC2500V/min  
 绝缘阻抗: 500MΩ/DC500V  
 使用条件: -40℃~+105℃

	pitch dimension			Nominal dimension					—
	over 0	over 6	over 10	over 0	over 30	over 60	over 100	over 150	
variable range	to 6	to 10	to 24	to 30	to 60	to 100	to 150		▱
Tolerance	±0.1	±0.15	±0.25	±0.2	±0.3	±0.5	±0.7	±1.0	0.05/10

3	LZ1-耳朵螺母	SNM0250010V	2	黄铜	---
2	LZ1-5.08-直针	1015B0002AV	P	黄铜	镀锡
1	LZ1M-7.5-本体	1013M0YXXAV	1	PA66	
NO.	NAME OF PART	NO. OF PART	Q'TY	MATERIAL	NOTES
DES.	ARKINE	DATE 11-04-06	UNITS	MM	THIRD ANGLE PROJECTION SHEET
CHK.		DATE	SIZE	A4	 1 of 1
APP.		DATE	SCALE	1:1	
 上海联捷电气有限公司 Shanghai Blinker Electric C.O., LTD				TITLE	LZ1M-7.5-XP-1Y-00A LZ1M-7.5-成品

REVISION RECORD			
REV.	CONTENT	MOD.	DATE
△	初版发行		



NOTES:

Pitch : 7.62mm  
 Rated Voltage : 400V  
 Rated Current : 20 A  
 Withstand Voltage :  
 AC2500V for 1 minute  
 Insulation Resistance :  
 500MΩ / DC500V  
 Using Temperature Range :  
 - 40°C ~ + 105°C

技术要求:

间距: 7.62mm  
 额定电压: 400V  
 额定电流: 20A  
 耐电压值: AC2500V/min  
 绝缘阻抗: 500MΩ/DC500V  
 使用条件: -40°C~+105°C

	pitch dimension			Nominal dimension					—
	over 0	over 6	over 10	over 0	over 30	over 60	over 100	over 150	
variable range	to 6	to 10	to 24	to 30	to 60	to 100	to 150		
Tolerance	±0.1	±0.15	±0.25	±0.2	±0.3	±0.5	±0.7	±1.0	

3	LZ1-耳朵螺母	SM00B25000V	2	黄铜	
2	LZ1-5.08-直针	1015B0002AV	P	黄铜	镀雾锡
1	LZ1M-7.62-本体	1008M0YXXAV	1	PA66-V0	
NO.	NAME OF PART	NO. OF PART	Q' TY	MATERIAL	NOTES
DES.	ARKINE	DATE	11-04-06	UNITS	MM
CHK.	DATE	SIZE	A4	THIRD ANGLE PROJECTION	
APP.	DATE	SCALE	1:1	DWG NO.	SP-2-1008003
				TITLE	LZ1VM-7.62-XXP-1Y-00A LZ1VM-7.62-成品

上海联捷电气有限公司  
 Shanghai Elinker Electric C.O,LTD