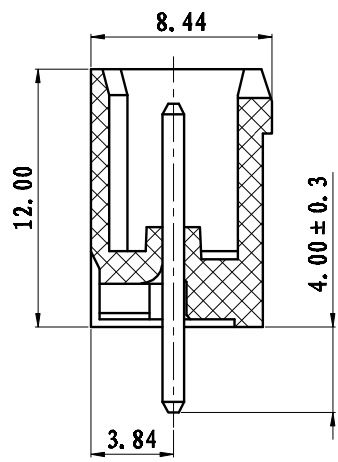
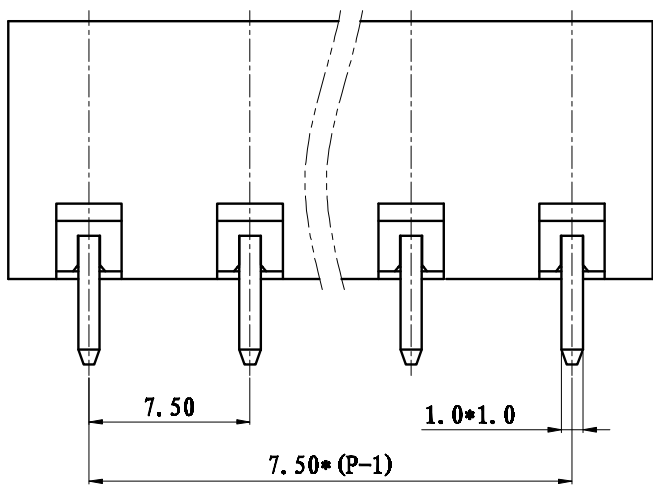
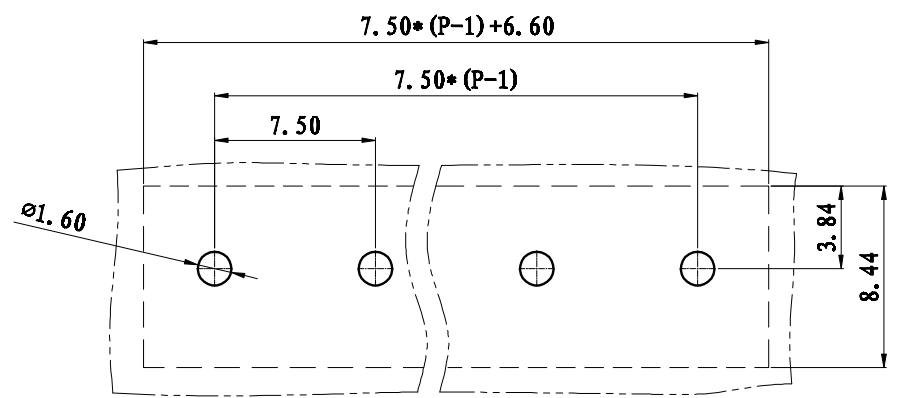
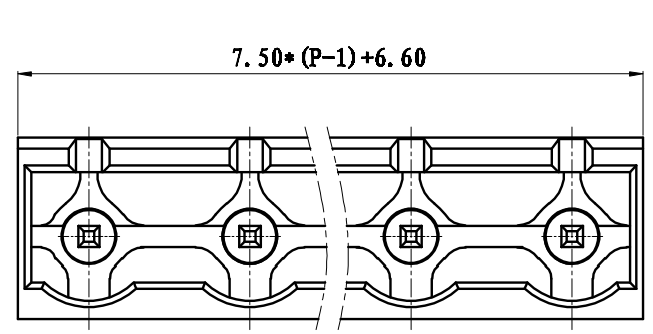


REVISION RECORD			
REV.	CONTENT	MOD.	DATE
△0	初版发行		



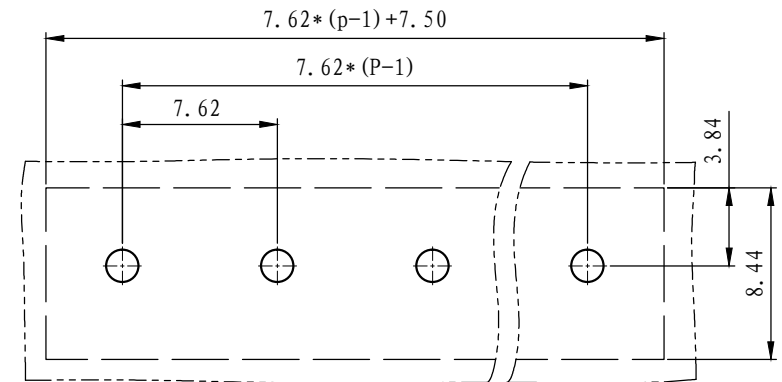
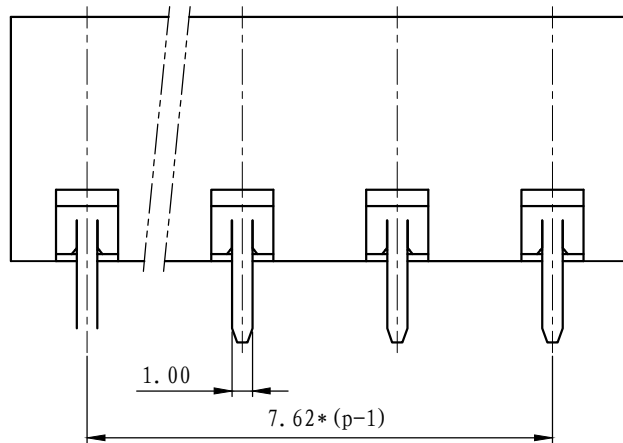
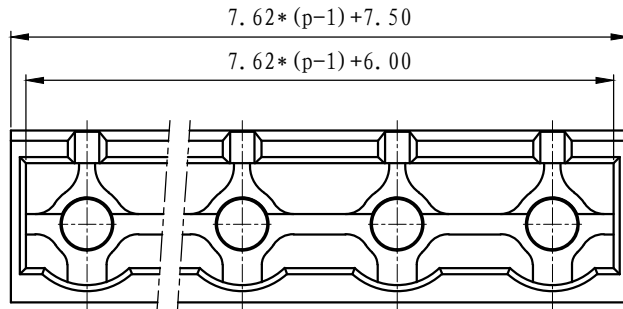
NOTES:
 Pitch : 7.5mm
 Rated Voltage : 400V
 Rated Current : 20A
 Withstand Voltage :
 AC2500V for 1 minute
 Insulation Resistance :
 500MΩ / DC500V
 Using Temperature Range :
 -40℃ ~ +105℃


技术要求:
 间距: 7.5mm
 额定电压: 400V
 额定电流: 20A
 耐电压值: AC2500V/min
 绝缘阻抗: 500MΩ/DC500V
 使用条件: -40℃~+105℃

	pitch dimension			Nominal dimension					— /
	over 0 to 6	over 6 to 10	over 10 to 24	over 0 to 30	over 30 to 60	over 60 to 100	over 100 to 150	over 150	
variable range	0	6	10	0	30	60	100	150	∕
Tolerance	±0.1	±0.15	±0.25	±0.2	±0.3	±0.5	±0.7	±1.0	0.05/10

2	LZ1-5.08-直针	1015B0001AV	P	黄铜	镀锡
1	LZ1-7.5-本体	1013A0YXXAV	1	PA66	
NO.	NAME OF PART	NO. OF PART	Q'TY	MATERIAL	NOTES
DES.	ARKINE	DATE 11-04-06	UNITS	MM	THIRD ANGLE PROJECTION
CHK.		DATE	SIZE	A4	1 of 1
APP.		DATE	SCALE	1:1	DWG NO. SP-2-1013001 REV: V0
上海联捷电气有限公司 Shanghai Hlinker Electric Co., Ltd				TITLE	LZ1V-7.5-XP-1Y-00A LZ1V-7.5-成品

REVISION RECORD			
REV.	CONTENT	MOD.	DATE
△			



2	LZ1-5.08-直针	1015B0002AV	P	黄铜	
1	LZ1-7.62-本体	1008A0YXXAV	1	PA66-V0	
NO.	NAME OF PART	NO. OF PART	Q' TY	MATERIAL	NOTES
DES.	ARKINE	DATE	11-04-06	UNITS	MM
CHK.		DATE		SIZE	A4
APP.		DATE		SCALE	1:1
					DWG NO.
 上海联捷电气有限公司 Shanghai Elinker Electric C.O, LTD					TITLE
					LZ1V-7.62-XXP-1Y-00A LZ1V-7.62-成品

THIRD ANGLE PROJECTION SHEET 1 of 1