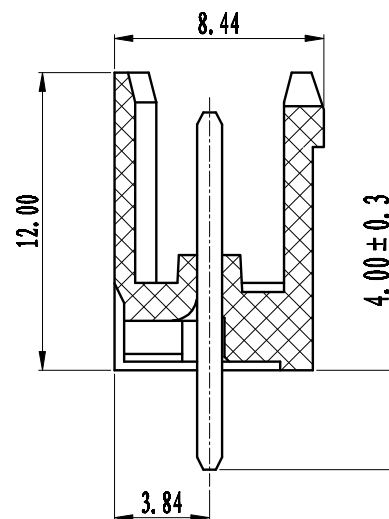
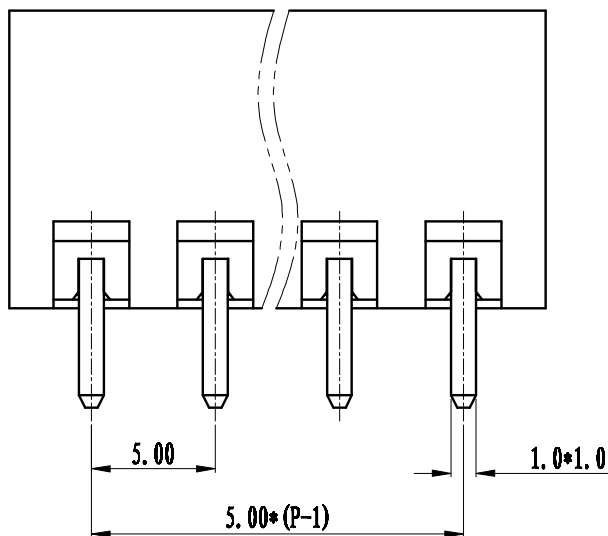
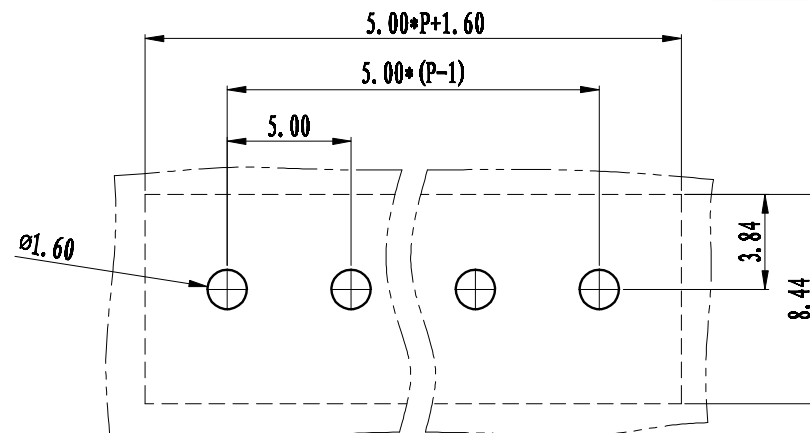
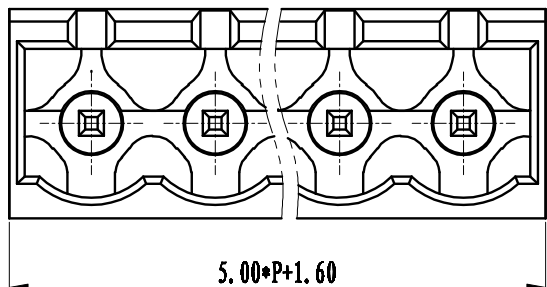


REVISION RECORD			
REV.	CONTENT	MOD.	DATE
△0	初版发行		



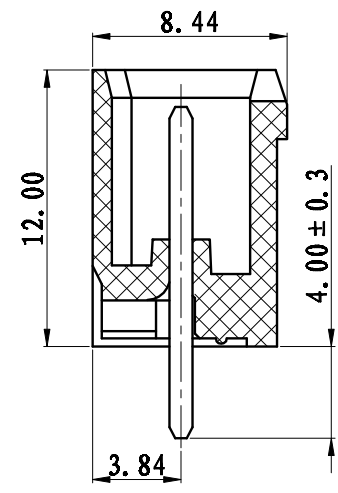
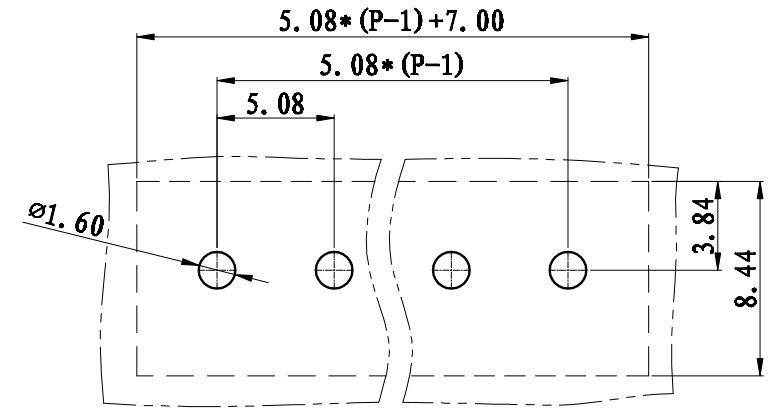
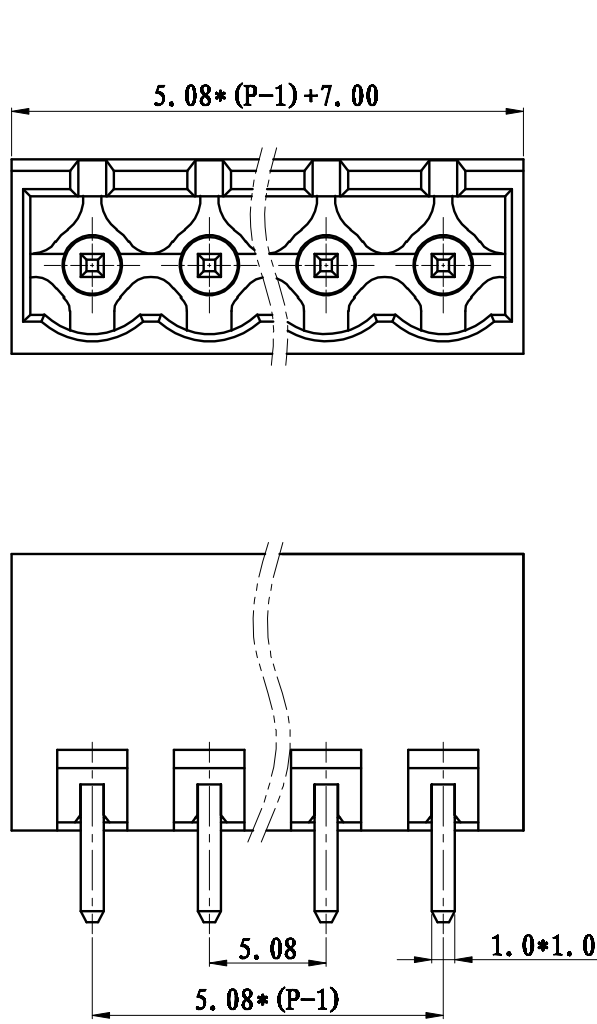
**NOTES:**  
 Pitch : 5.0mm  
 Rated Voltage : 300V  
 Rated Current : 15A  
 Withstand Voltage :  
 AC2500V for 1 minute  
 Insulation Resistance :  
 5MΩ / DC500V  
 Using Temperature Range :  
 -40℃ ~ +105℃

**技术要求:**  
 间距: 5.0mm  
 额定电压: 300V  
 额定电流: 15A  
 耐电压值: AC2500V/min  
 绝缘阻抗: 5MΩ/DC500V  
 使用条件: -40℃~+105℃

	pitch dimension			Nominal dimension					— /
	over 0 to 6	over 6 to 10	over 10 to 24	over 0 to 30	over 30 to 60	over 60 to 100	over 100 to 150	— /	
variable range	±0.1	±0.15	±0.25	±0.2	±0.3	±0.5	±0.7	±1.0	0.05/10
Tolerance	±0.1	±0.15	±0.25	±0.2	±0.3	±0.5	±0.7	±1.0	0.05/10

2	LZ1-5.08-直针(1.2)	1015B0002AV	P	黄铜	镀雾锡		
1	LZ1-5.0-本体	1041A0YXXAV	1	PA66			
NO.	NAME OF PART	NO. OF PART	Q'TY	MATERIAL	NOTES		
DES.	XLM	DATE	2012/4/27	UNITS	MM	THIRD ANGLE PROJECTION	SHEET
CHK.		DATE		SIZE	A4		1 of 1
APP.		DATE		SCALE	1:1	DWG NO.	SP-2-1041001
<b>上海联捷电气有限公司</b> Shanghai Elinker Electric Co., Ltd						TITLE	LZ1V-5.0-XXP-1Y-00A LZ1V-5.0-成品


REVISION RECORD			
REV.	CONTENT	MOD.	DATE
△	初版发行		



**NOTES:**  
 Pitch : 5.08mm  
 Rated Voltage : 300V  
 Rated Current : 15A  
 Withstand Voltage :  
 AC2500V for 1 minute  
 Insulation Resistance :  
 5MΩ / DC500V  
 Using Temperature Range :  
 - 40℃ ~ + 105℃

**技术要求:**  
 间距: 5.08mm  
 额定电压: 300V  
 额定电流: 15A  
 耐电压值: AC2500V/min  
 绝缘阻抗: 5MΩ/DC500V  
 使用条件: -40℃ ~ +105℃

	pitch dimension			Nominal dimension					— ◇ ○
	over to	over to	over to	over to	over to	over to	over to	over to	
variable range	0 to 6	6 to 10	10 to 24	0 to 30	30 to 60	60 to 100	100 to 150	150	
Tolerance	±0.1	±0.15	±0.25	±0.2	±0.3	±0.5	±0.7	±1.0	0.05/10

2	LZ1-5.08-直针(1.2)	1015B0002AV	P	黄铜	镀锡
1	LZ1-5.08-本体	1015A07XIAV	1	PA66	
NO.	NAME OF PART	NO. OF PART	Q'TY	MATERIAL	NOTES
DES.	ARKINE	DATE	2010/5/20	UNITS	MM
CHK.		DATE		SIZE	A4
APP.		DATE		SCALE	1:1
				DWG NO.	SP-1-1015001
				REV:	T0
 <b>上海联捷电气有限公司</b> Shanghai Bliker Electric C.O.,LTD				TITLE	
				LZ1V-5.08-XP-1Y-00A LZ1V-5.08-成品	