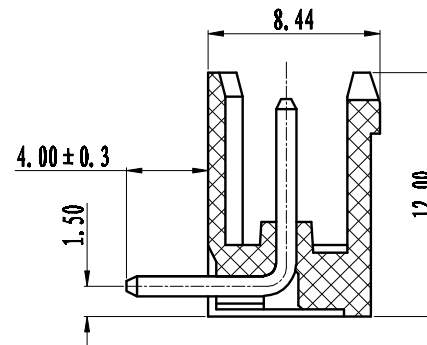
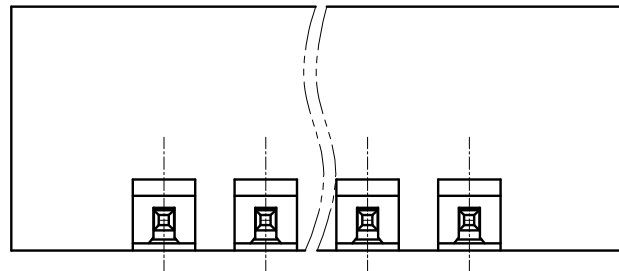
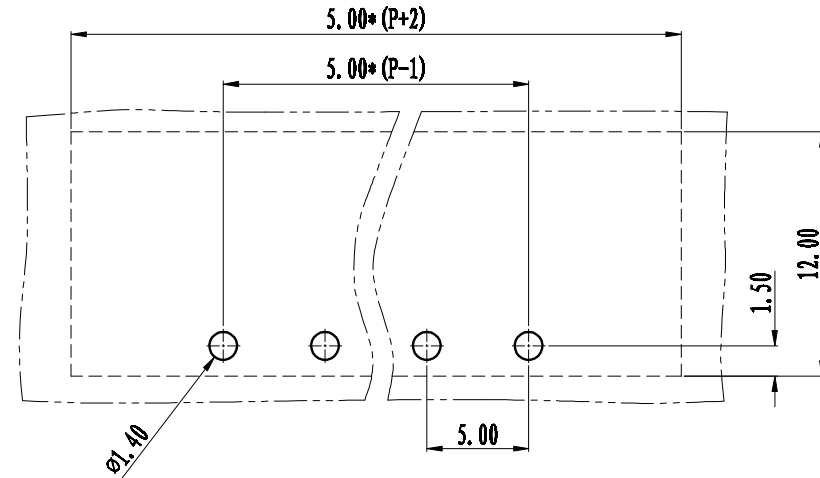
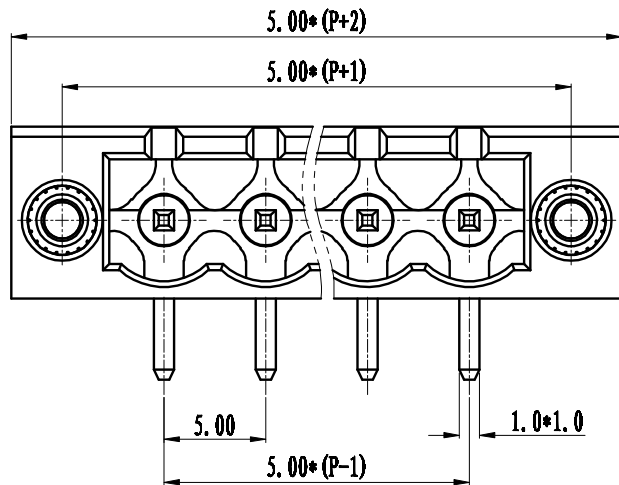


REVISION RECORD			
REV.	CONTENT	MOD.	DATE
△0	初版发行		



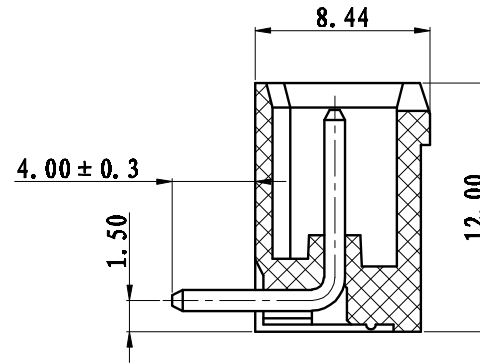
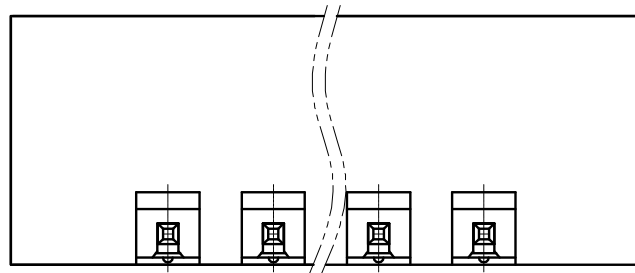
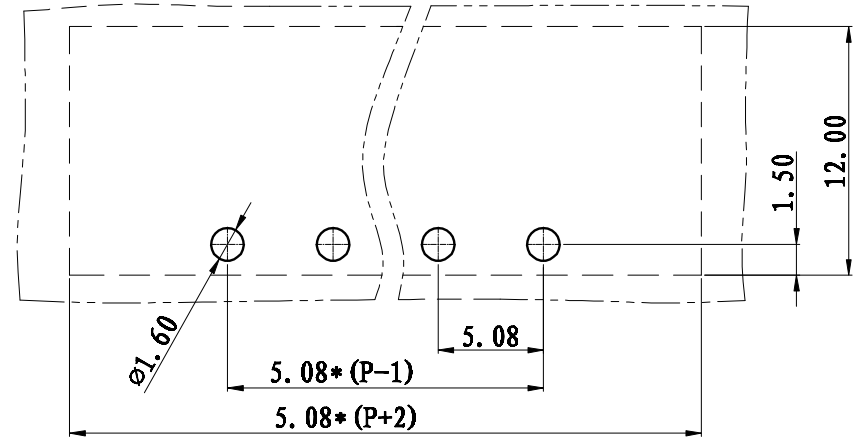
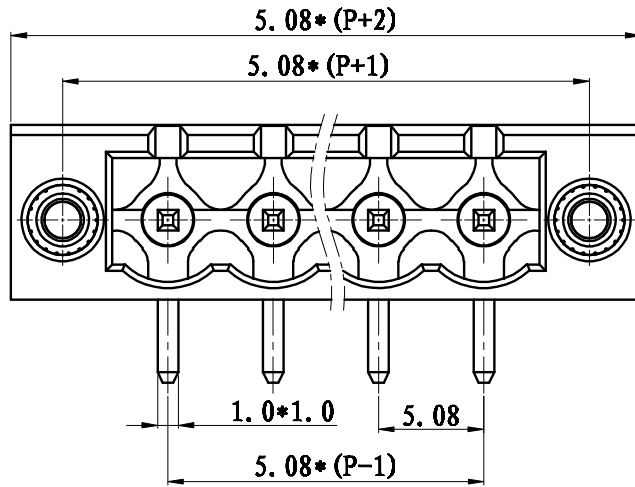
NOTES:  
 Pitch: 5.0mm  
 Rated Voltage: 300V  
 Rated Current: 15A  
 Withstand Voltage:  
 AC2500V for 1 minute  
 Insulation Resistance:  
 5MΩ / DC500V  
 Using Temperature Range:  
 -40℃ ~ +105℃

技术要求:  
 间距: 5.0mm  
 额定电压: 300V  
 额定电流: 15A  
 耐电压值: AC2500V/min  
 绝缘阻抗: 5MΩ/DC500V  
 使用条件: -40℃~+105℃

	pitch dimension			Nominal dimension					—
	over 0	over 6	over 10	over 0	over 30	over 60	over 100	over 150	
variable range	to 6	to 10	to 24	to 30	to 60	to 100	to 150		▱
Tolerance	±0.1	±0.15	±0.25	±0.2	±0.3	±0.5	±0.7	±1.0	⌒

3.	LZ1-耳朵螺母	SM00B250000V	2	黄铜	
2.	LZ1-5.08-弯针(1.2)	1015B0001AV	P	黄铜	镀雾锡
1.	LZ1M-5.0-本体	1041M0YXXAV	1	PA66	
NO.	NAME OF PART	NO. OF PART	Q'TY	MATERIAL	NOTES
DES.	XLM	DATE	2012/4/27	UNITS	MM
CHK.				SIZE	A4
APP.		DATE		SCALE	1:1
				DWG NO.	SP-2-1041004
				REV:	T0
 <b>上海联捷电气有限公司</b> Shanghai Hlinker Electric Co., Ltd				TITLE	LZ1RM-5.0-XP-1Y-00A
					LZ1RM-5.0-成品


REVISION RECORD			
REV.	CONTENT	MOD.	DATE
△0	初版发行		



NOTES:  
 Pitch : 5.08mm  
 Rated Voltage : 300V  
 Rated Current : 15A  
 Withstand Voltage :  
 AC2500V for 1 minute  
 Insulation Resistance :  
 500MΩ / DC500V  
 Using Temperature Range :  
 -40℃ ~ +105℃

技术要求:  
 间距: 5.08mm  
 额定电压: 300V  
 额定电流: 15A  
 耐电压值: AC2500V/min  
 绝缘阻抗: 500MΩ/DC500V  
 使用条件: -40℃~+105℃

	pitch dimension			Nominal dimension					—
	over 0	over 6	over 10	over 0	over 30	over 60	over 100	over 150	
variable range	to 6	to 10	to 24	to 30	to 60	to 100	to 150		□
Tolerance	±0.1	±0.15	±0.25	±0.2	±0.3	±0.5	±0.7	±1.0	○

3.	LZ1-耳朵螺母	SM00B250000V	2	黄铜	
2.	LZ1-5.08-弯针(1.2)	1015B0001AV	P	黄铜	镀雾锡
1.	LZ1M-5.08-本体	1015M0YXXAV	1	PA66	
NO.	NAME OF PART	NO. OF PART	Q'TY	MATERIAL	NOTES
DES.	ARKINE	DATE	2010/5/20	UNITS	MM
CHK.				SIZE	A4
APP.		DATE		SCALE	1:1
				DWG NO.	SP-1-1015004
				REV: TO	
 <b>上海联捷电气有限公司</b> Shanghai Blinks Electric Co., Ltd				TITLE	LZ1RM-5.08-XP-1Y-00A
					LZ1RM-5.08-成品