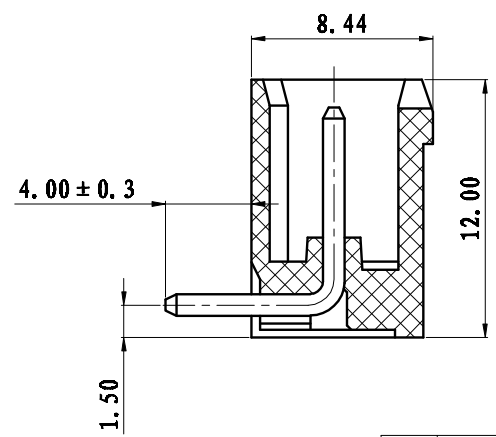
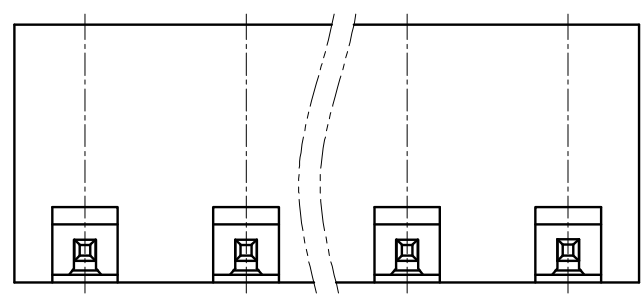
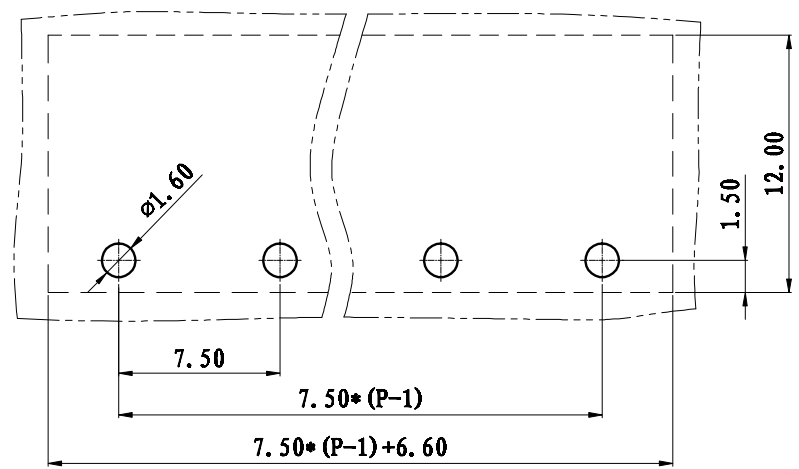
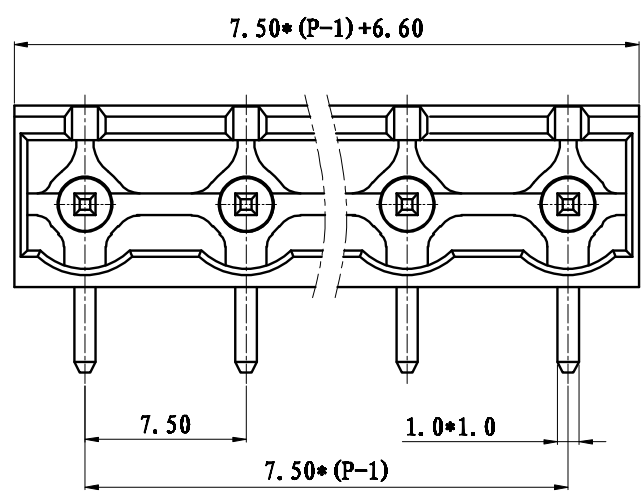


REVISION RECORD			
REV.	CONTENT	MOD.	DATE
0	初版发行		



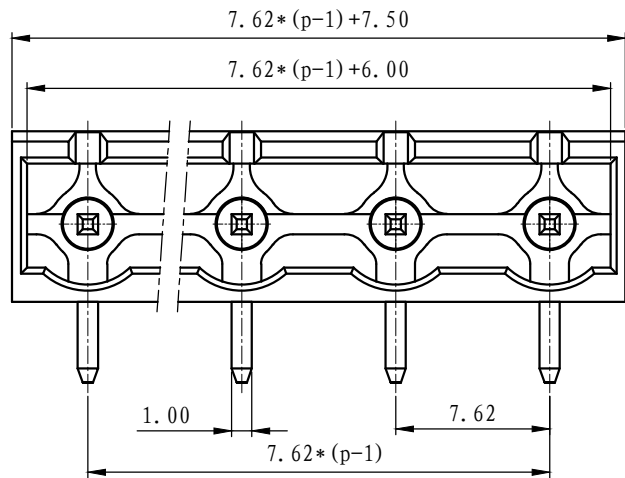
NOTES:  
 Pitch : 7.5mm  
 Rated Voltage : 400V  
 Rated Current : 20A  
 Withstand Voltage :  
 AC2500V for 1 minute  
 Insulation Resistance :  
 500MΩ / DC500V  
 Using Temperature Range :  
 -40℃ ~ +105℃

技术要求:  
 间距: 7.5mm  
 额定电压: 400V  
 额定电流: 20A  
 耐压值: AC2500V/min  
 绝缘阻抗: 500MΩ/DC500V  
 使用条件: -40℃~+105℃

	pitch dimension			Nominal dimension					— /
	over 0 to 6	over 6 to 10	over 10 to 24	over 0 to 30	over 30 to 60	over 60 to 100	over 100 to 150	over 150	
variable range	0 to 6	6 to 10	10 to 24	0 to 30	30 to 60	60 to 100	100 to 150	150	— /
Tolerance	±0.1	±0.15	±0.25	±0.2	±0.3	±0.5	±0.7	±1.0	0.05/10

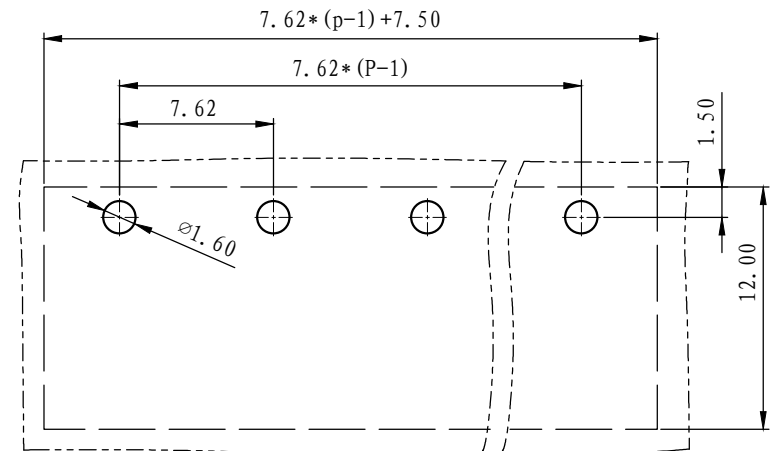
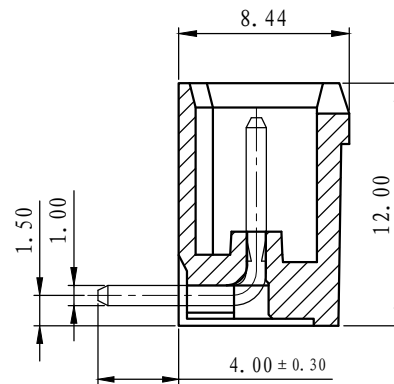
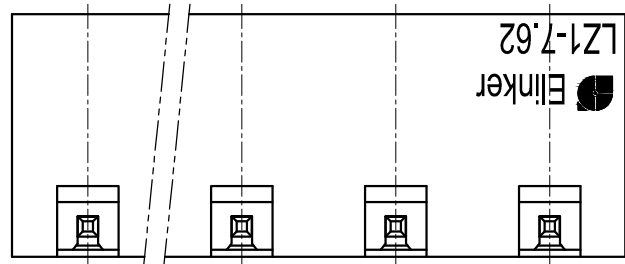
2	LZ1-5.08-弯针	1015B0001AV	P	黄铜	镀锡
1	LZ1-7.5-本体	1013A0YXXAV	1	PA66	
NO.	NAME OF PART	NO. OF PART	Q'TY	MATERIAL	NOTES
DES.	ARKINE	DATE 11-04-06	UNITS	MM	THIRD ANGLE PROJECTION
CHK.		DATE	SIZE	A4	1 of 1
APP.		DATE	SCALE	1:1	DWG NO. SP-2-1013001 REV: V0
上海联捷电气有限公司 Shanghai Hlinker Electric Co., Ltd.				TITLE	LZ1R-7.5-XP-1Y-00A LZ1R-7.5-成品

REVISION RECORD			
REV.	CONTENT	MOD.	DATE
△	初版发行		



NOTES:  
 Pitch : 7.62mm  
 Rated Voltage : 400V  
 Rated Current : 20A  
 Withstand Voltage :  
 AC2500V for 1 minute  
 Insulation Resistance :  
 500MΩ / DC500V  
 Using Temperature Range :  
 -40℃ ~ +105℃

技术要求:  
 间距: 7.62mm  
 额定电压: 400V  
 额定电流: 20A  
 耐电压值: AC2500V/min  
 绝缘阻抗: 500MΩ/DC500V  
 使用条件: -40℃~+105℃



	pitch dimension			Nominal dimension					— /
	over 0 to 6	over 6 to 10	over 10 to 24	over 0 to 30	over 30 to 60	over 60 to 100	over 100 to 150	over 150	
variable range	0 to 6	6 to 10	10 to 24	0 to 30	30 to 60	60 to 100	100 to 150	150	□ ○
Tolerance	±0.1	±0.15	±0.25	±0.2	±0.3	±0.5	±0.7	±1.0	0.05/10

2	LZ1-5.08-弯针	1015B0001AV	P	黄铜	镀雾锡
1	LZ1-7.62-本体	1008A0YXXAV	1	PA66-V0	
NO.	NAME OF PART	NO. OF PART	Q'TY	MATERIAL	NOTES
DES.	ARKINE	DATE	11-04-06	UNITS	MM
CHK.	DATE	SIZE	A4	THIRD ANGLE PROJECTION	
APP.	DATE	SCALE	1:1	DWG NO.	SP-2-1008002
上海联捷电气有限公司 Shanghai Elinker Electric C.O,LTD				TITLE	LZ1R-7.62-XXP-1Y-00A LZ1R-7.62-成品
					SHEET 1 of 1
					REV: V0