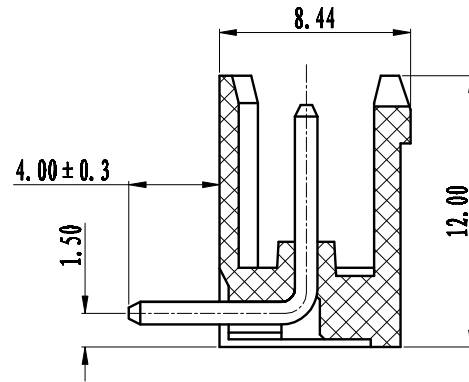
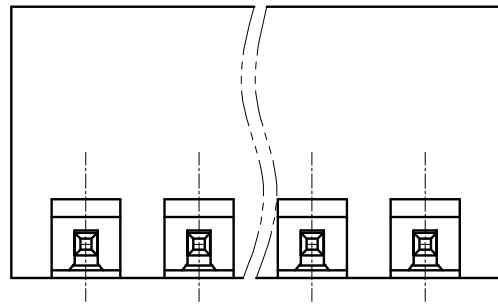
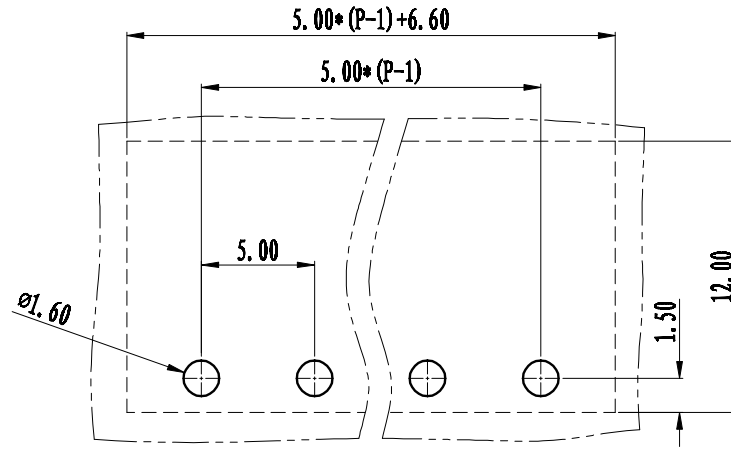
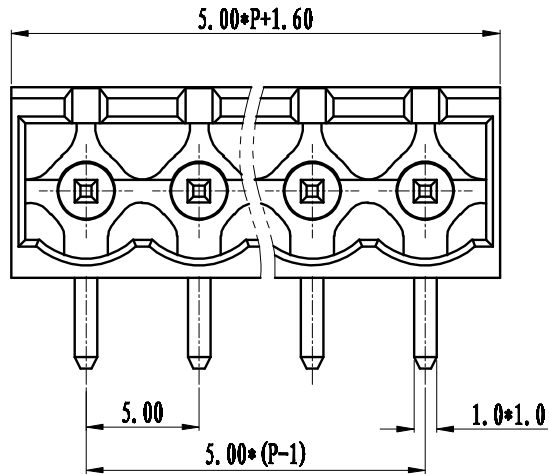


REVISION RECORD

REV.	CONTENT	MOD.	DATE
0	初版发行		



NOTES:

Pitch: 5.0mm  
 Rated Voltage: 300V  
 Rated Current: 15A  
 Withstand Voltage:  
 AC2500V for 1 minute  
 Insulation Resistance:  
 5MΩ / DC500V  
 Using Temperature Range:  
 -40℃ ~ +105℃

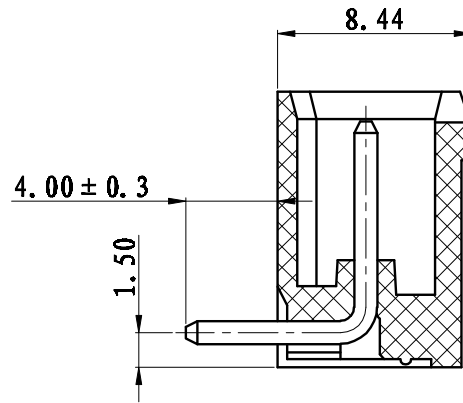
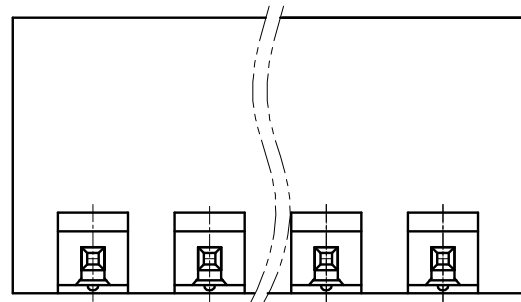
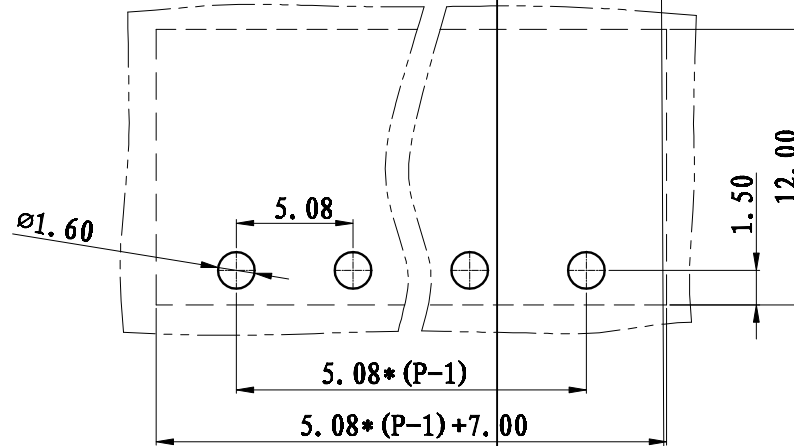
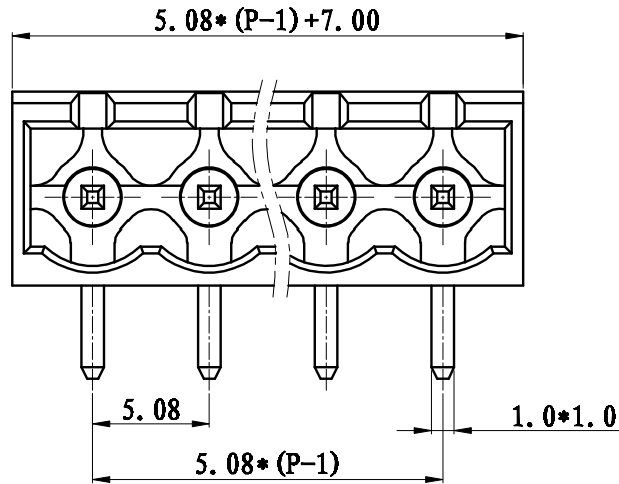
技术要求:

间距: 5.0mm  
 额定电压: 300V  
 额定电流: 15A  
 耐电压值: AC2500V/min  
 绝缘阻抗: 5MΩ/DC500V  
 使用条件: -40℃~+105℃

	pitch dimension			Nominal dimension					—
	over 0	over 6	over 10	over 0	over 30	over 60	over 100	over 150	
variable range	to 6	to 10	to 24	to 30	to 60	to 100	to 150		
Tolerance	±0.1	±0.15	±0.25	±0.2	±0.3	±0.5	±0.7	±1.0	

2	LZ1-5.08-弯针(1.2)	1015B0001AV	P	黄铜	镀雾锡
1	LZ1-5.0-本体	1041A0YXXAV	1	PA66	
NO.	NAME OF PART	NO. OF PART	QTY	MATERIAL	NOTES
DES.	XLM	DATE	2012/4/27	UNITS	MM
CHK.		DATE		SIZE	A4
APP.		DATE		SCALE	1:1
				DWG NO.	SP-1-1041002
				REV:	TO
上海联捷电气有限公司 Shanghai Blinks Electric Co., Ltd.				TITLE	LZ1R-5.0-XP-1Y-00A
					LZ1R-5.0-成品

REVISION RECORD			
REV.	CONTENT	MOD.	DATE
①	初版发行		



NOTES:  
 Pitch : 5.08mm  
 Rated Voltage : 300V  
 Rated Current : 15A  
 Withstand Voltage :

技术要求:  
 间距: 5.08mm  
 额定电压: 300V  
 额定电流: 15A  
 耐电压值: AC2500V/min  
 绝缘阻抗: 1000MΩ/DC1000V  
 使用条件: -40℃ ~ +105℃  
 阻燃等级: V0

	pitch dimension			Nominal dimension					—
	over 0 to 6	over 6 to 10	over 10 to 24	over 0 to 30	over 30 to 60	over 60 to 100	over 100 to 150	—	
variable range	0 to 6	6 to 10	10 to 24	0 to 30	30 to 60	60 to 100	100 to 150	□	
Tolerance	±0.1	±0.15	±0.25	±0.2	±0.3	±0.5	±0.7	±1.0	

2	LZ1-5.08-弯针	1015B0001AV	P	黄铜	镀锡
1	LZ1-5.08-本体	1015A0YXXAV	1	PA66	
NO.	NAME OF PART	NO. OF PART	Q'TY	MATERIAL	NOTES
DES.	ARKINE	DATE	2010/5/20	UNITS	MM
CHK.		DATE		SIZE	A4
APP.		DATE		SCALE	1:1
				DWG NO.	SP-2-1015002
				REV:	T0
<b>上海联捷电气有限公司</b> Shanghai Hlinker Electric Co., Ltd				TITLE	LZ1R-5.08-XP-1Y-00A
					LZ1R-5.08-成品