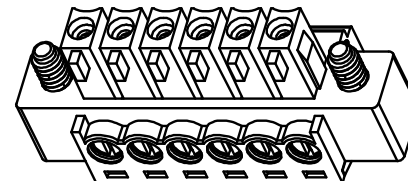
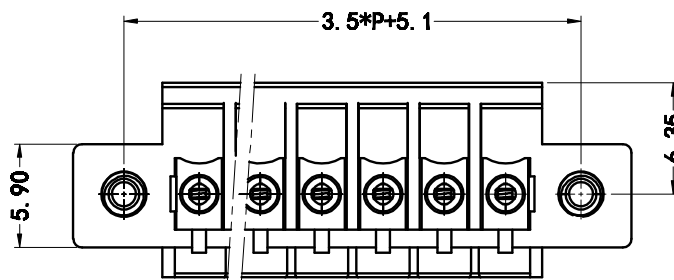


REVISION RECORD			
REV.	CONTENT	MOD.	DATE
△0	初版发行		

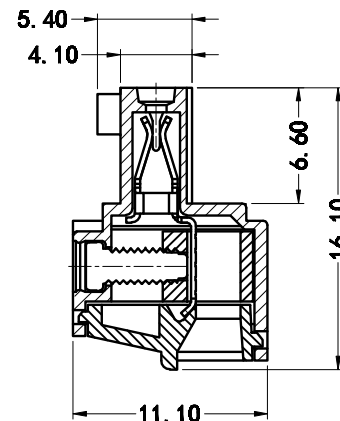
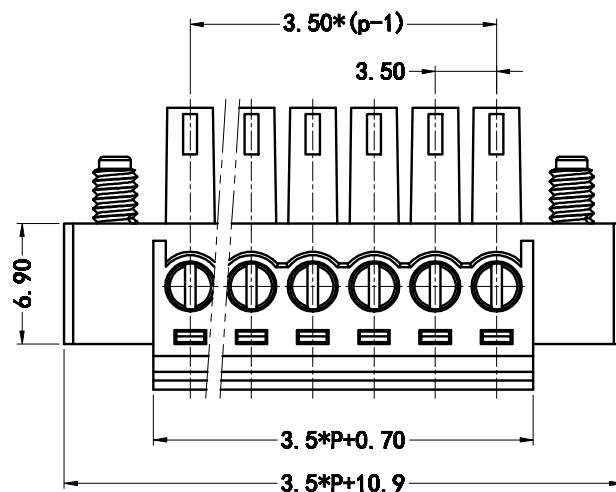


NOTES:

1. Voltage Rating: 300V, Current Rating: 8A
2. PITCH: 3.50mm
3. Insulation Withstands Voltage: AC2500V/min
4. Insulation Resistance: 50MΩ or more at DC500V
5. Using Temperature Range: -40° C - +105° C
6. Suitable Electric Wire: 2B-16 AWG
7. Screw Torque Value: 0.2Nm

技术要求:

1. 额定电压: 300V, 额定电流: 8A
2. 间距: 3.50mm
3. 耐电压值: AC2500V/min
4. 绝缘阻抗: 500兆欧
5. 使用条件: -40° - +105°
6. 适用线规: 2B-16 AWG
7. 螺丝扭矩: 0.2Nm

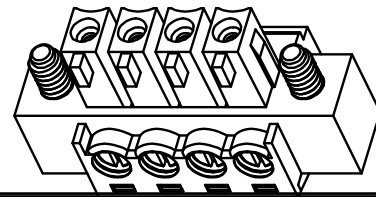
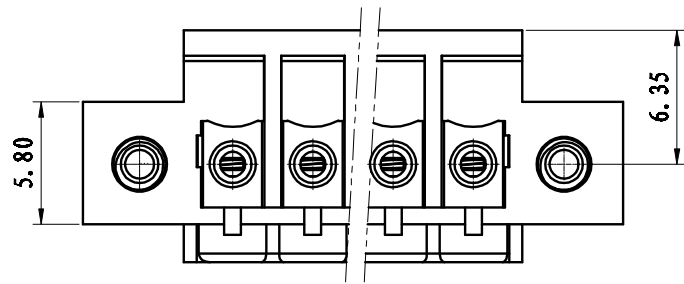


	pitch dimension			Nominal dimension					—
	over 0	over 6	over 10	over 0	over 30	over 60	over 100	over 150	
variable range	to	to	to	to	to	to	to		▱
	6	10	24	30	60	100	150		⌒
	±0.1	±0.15	±0.25	±0.2	±0.3	±0.5	±0.7	±1.0	0.05/10

6	LC1-耳朵螺丝	SPOYA255301V	2	碳钢	三价铬钝化彩锌
5	LC1-3.81-螺丝	SPOYA204801V	P	碳钢	三价铬钝化彩锌
4	LC1-3.81-铜方块	F1A0BLC3813V	P	黄铜	镀镍
3	LC1-3.81-夹子	1002B0001AV	P	磷青铜	镀镍
2	LC1-3.5-盖子	1021C0YXXAV	1	PA66-V0	
1	LC1M-3.5-本体	1021M0YXXAV	1	PA66-V0	
NO.	NAME OF PART	NO. OF PART	Q'TY	MATERIAL	NOTES
DES.	ARKINE	DATE	11-04-06	UNITS	MM
CHK.		DATE		SIZE	A4
APP.		DATE		SCALE	1:1
				DWG NO.	SP-2-1021002
				TITLE	LC1M-3.5-成品


上海联捷电气有限公司
 Shanghai Blinker Electric Co., Ltd

TITLE
 LC1M-3.5-成品



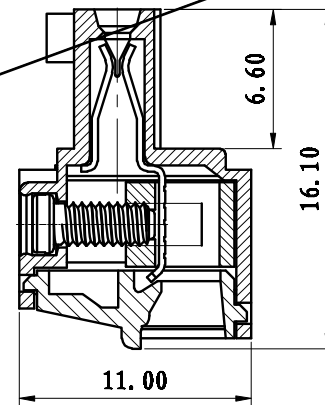
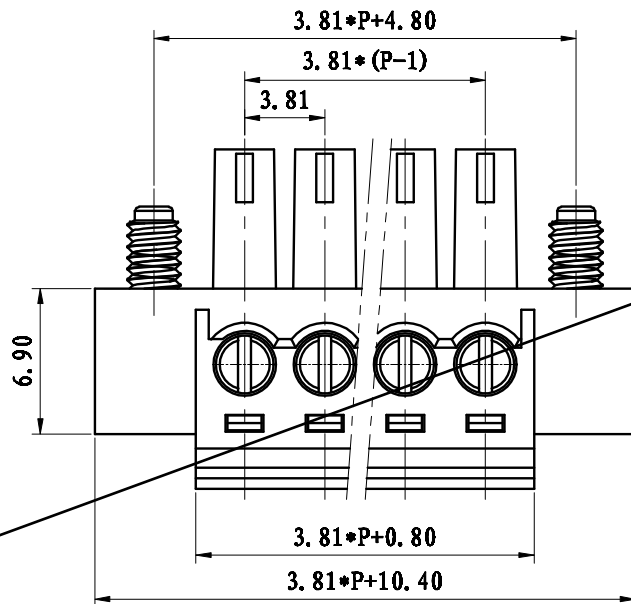
NOTES:

1. Voltage Rating: 300V, Current Rating: 8A
2. PITCH: 3.81mm
3. Insulation Withstands Voltage: AC2500V/min
4. Insulation Resistance: 500MΩ or more at DC500V
5. Using Temperature Range: -40° C - +105° C

SHANGHAI ELINKER ELECTRIC CO., LTD

技术要求:

1. 额定电压: 300V, 额定电流: 8A
2. 间距: 3.81mm
3. 耐电压值: AC 2500V/min
4. 绝缘阻抗: 500兆欧
5. 使用条件: -40° - +105°
6. 适用线规: 28-16AWG
7. 螺丝扭力: 0.2Nm



6	LC1-3.81-耳朵螺柱	SP0YA255301Y	2	碳钢	三价铬钝化彩锌
5	LC1-3.81-螺柱	SP0YA204802Y	P	碳钢	三价铬钝化彩锌
4	LC1-3.81-夹子	1002D0001AY	P	磷青铜	镀镍
3	LC1-3.81-侧方块	F1A00LC3813V	P	黄铜	镀镍
2	LC1-3.81-盖子	1002C0YXAV	1	PA66-70	
1	LC1M-3.81-本体	1002M0YXAV	1	PA66-70	

NO.	NAME OF PART	NO. OF PART	QTY	MATERIAL	NOTES
DES.	ARKINE	DATE	2010/5/8	UNITS	mm
CHK.		DATE		SIZE	A4
APP.		DATE		SCALE	1:1

上海联捷电气有限公司 Shanghai Elinker Electric CO., LTD				TITLE	LC1M-3.81-III-1Y-00A LC1M-3.81-成品
--	--	--	--	-------	--------------------------------------

	pitch dimension			Nominal dimension					— ◇ ○
	over 0	over 6	over 10	over 0	over 30	over 60	over 100	over 150	
variable range	to 6	to 10	to 24	to 30	to 60	to 100	to 150		
Tolerance	±0.1	±0.15	±0.25	±0.2	±0.3	±0.5	±0.7	±1.0	0.05/10