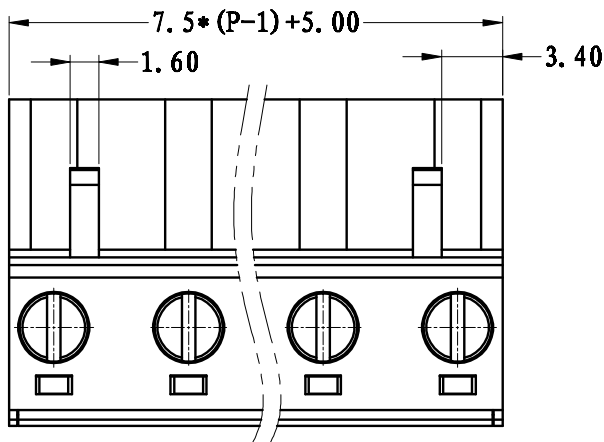
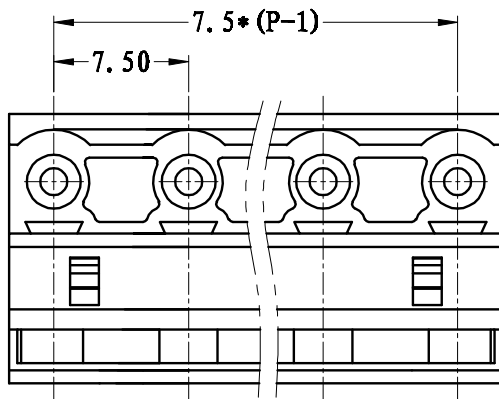
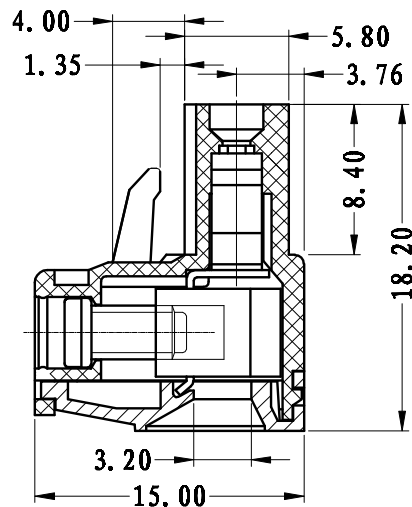


REVISION RECORD			
REV.	CONTENT	MOD.	DATE
△	初版发行		



NOTES:
 Pitch : 7.5mm
 Rated Voltage : 400V
 Rated Current : 20A
 Withstand Voltage :
 AC2500V for 1 minute
 Insulation Resistance :
 500MΩ / DC500V
 Using Temperature Range :
 -40℃ ~ +105℃
 Wire range : 28~12AWG
 Screw Torque Value : 0.5Nm

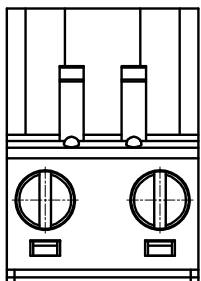
技术要求:
 间距: 7.5mm
 额定电压: 400V
 额定电流: 20A
 耐电压值: AC2500V/min
 绝缘阻抗: 500MΩ/DC500V
 使用条件: -40℃~+105℃
 适用线规: 28~12AWG
 螺丝扭矩: 0.5Nm



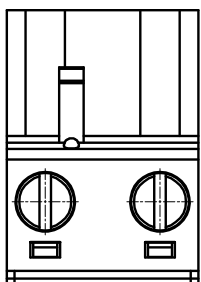
	pitch dimension			Nominal dimension					— /
	over 0	over 6	over 10	over 0	over 30	over 60	over 100	over 150	
variable range	to 6	to 10	to 24	to 30	to 60	to 100	to 150		▱ ○
Tolerance	±0.1	±0.15	±0.25	±0.2	±0.3	±0.5	±0.7	±1.0	0.05/10

5	LC1-5.08-夹子	1001B0001AY	P	磷青铜	镀锌
4	LC1-5.08-螺丝	SPOYA30S301V	P	碳钢	三价铬钝化彩锌
3	LC1-5.08-铜方块	F1A0BLCS083V	P	黄铜	镀锌
2	LC1-7.5-盖板	1124C0YXXAY	1	PA66	
1	LC1-7.5-主体	1124A0YXXAY	1	PA66	
NOTES					
NO.	NAME OF PART	NO. OF PART	QTY	MATERIAL	
DES.	XLM	DATE	2012/2/27	UNITS	mm
CHK.		DATE		SIZE	A4
APP.		DATE		SCALE	1:1
				DWG NO.	09-3-1124A001
				TITLE	LC1-7.5-III-1Y-00A LC1-7.5-成品

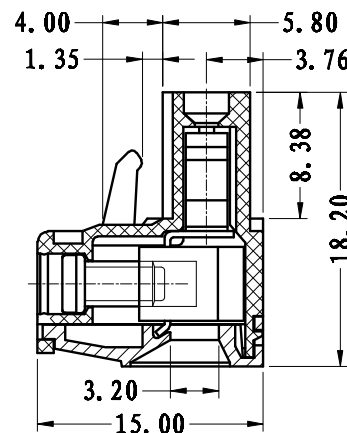
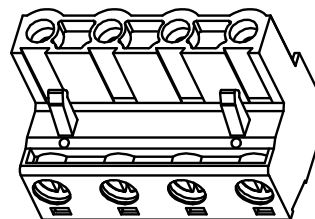
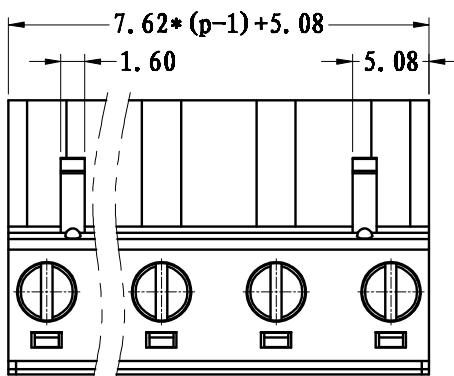
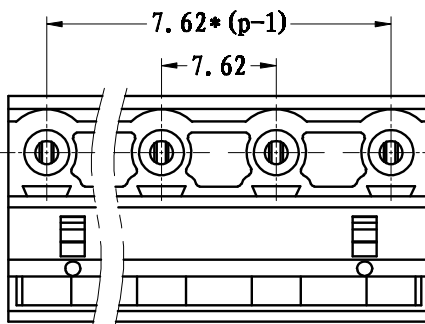
REVISION RECORD			
REV.	CONTENT	MOD.	DATE
△0	初版发行		



2P-双卡扣



2P-单卡扣



NOTES:

1. Voltage Rating: 400V, Current Rating: 20A
2. PITCH: 7.62mm
3. Insulation Withstands Voltage: AC2500V/min
4. Insulation Resistance: 500MΩ or more at DC500V
5. Using Temperature Range: -40° C ~ +105° C
6. Suitable Electric Wires: 28-12AWG
7. Screw Torque Value: 0.5N.m

技术要求:

1. 额定电压: 400V, 额定电流: 20A
2. 间距: 7.62mm
3. 耐电压值: AC 2500V/min
4. 绝缘阻抗: 500兆欧
5. 使用条件: -40° - +105°
6. 适用线规: 28-12AWG
7. 螺丝扭力: 0.5N.m

	pitch dimension			Nominal dimension					— ▱ ⌒
	over 0 to 6	over 6 to 10	over 10 to 24	over 0 to 30	over 30 to 60	over 60 to 100	over 100 to 150	over 150	
variable range									
Tolerance	±0.1	±0.15	±0.25	±0.2	±0.3	±0.5	±0.7	±1.0	0.05/10

5.	LC1-5.08-夹子	1001B0001AV	P	磷青铜	镀镍	
4.	LC1-5.08-铜方块	F1A00BLCS003V	P	黄铜	镀镍	
3.	LC1-5.08-螺丝	SPOYA305301V	P	碳钢	三价铬钝化彩锌	
2.	LC1-7.62-盖子	1007COYXXAV	1	PA66-V0		
1.	LC1-7.62-本体	1007A0YXXAV	1	PA66-V0		
NO.	NAME OF PART		NO. OF PART	Q'TY	MATERIAL	NOTES
DES.	ARKINE	DATE	2010/10/24	UNITS	MM	THIRD ANGLE PROJECTION
CHK.		DATE		SIZE	A4	
APP.		DATE		SCALE	1:1	
					DWG NO.	SP-2-1007002
					REV:	V0
上海联捷电气有限公司 Shanghai Hlinker Electric C.O., LTD					TITLE	LC1-7.62-XP-1Y-00A
						LC1-7.62-成品