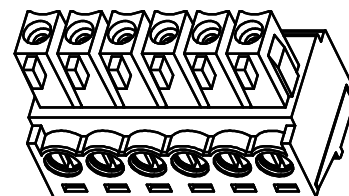
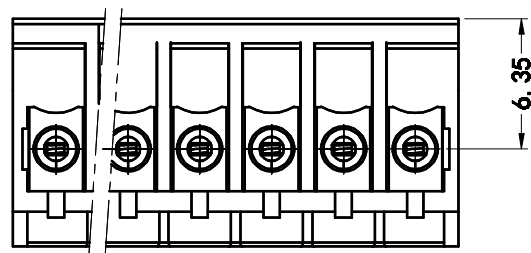


REVISION RECORD			
REV.	CONTENT	MOD.	DATE
△	初版发行		

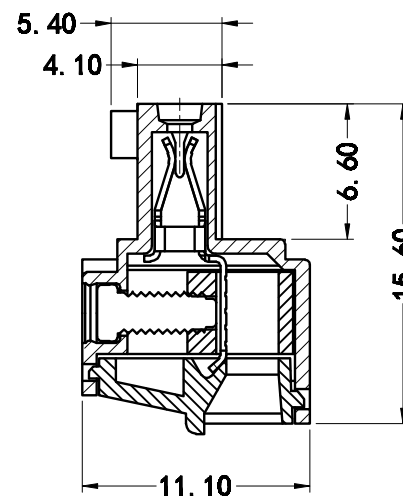
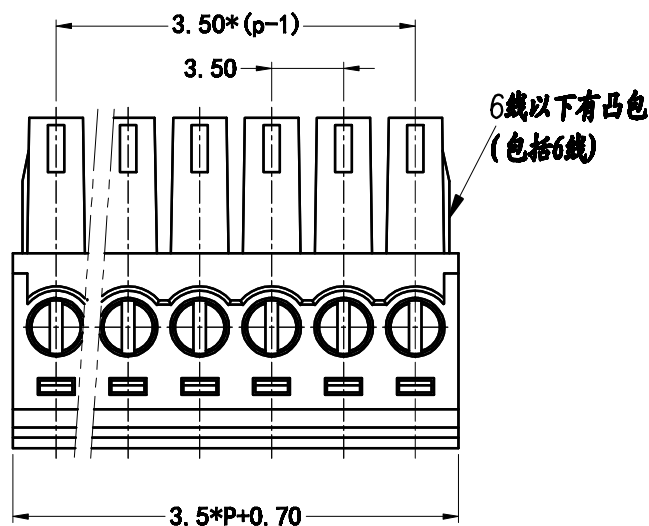


NOTES:

1. Voltage Rating: 300V, Current Rating: 8A
2. PITCH: 3.50mm
3. Insulation Withstands Voltage: AC2500V/min
4. Insulation Resistance: 500MΩ or more at DC500V
5. Using Temperature Range: -40° C - +105° C
6. Suitable Electric Wire: 2B-16 AWG
7. Screw Torque Value: 0.2Nm

技术要求:

1. 额定电压: 300V, 额定电流: 8A
2. 间距: 3.50mm
3. 耐电压值: AC2500V/min
4. 绝缘电阻500兆欧
5. 使用条件: -40° - +105°
6. 适用线规: 2B-16 AWG
7. 螺丝扭矩: 0.2Nm

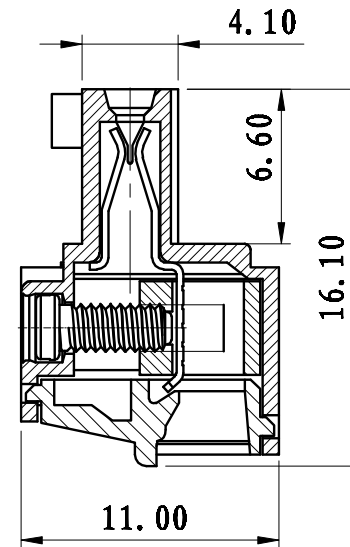
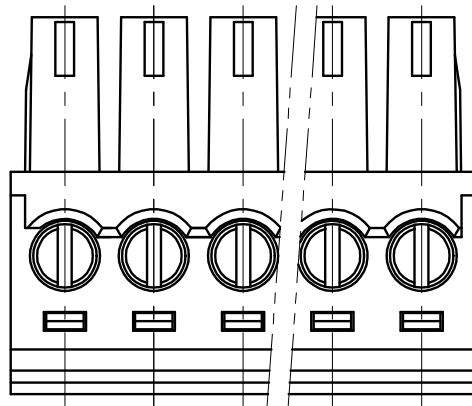
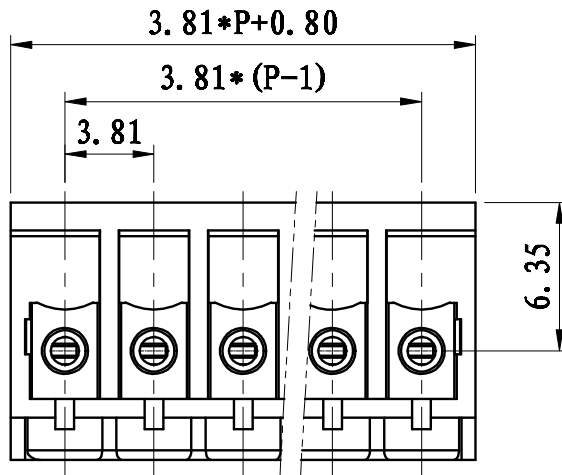


	pitch dimension			Nominal dimension					— /
	over 0 to 6	over 6 to 10	over 10 to 24	over 0 to 30	over 30 to 60	over 60 to 100	over 100 to 150	0.05/10	
variable range									
Tolerance	±0.1	±0.15	±0.25	±0.2	±0.3	±0.5	±0.7	±1.0	0.05/10

5	LC1-3.81-螺丝	SPOYA204801V	P	碳钢	三价钝化彩锌
4	LC1-3.81-铜方块	F1A0BLC3813V	P	黄铜	镀镍
3	LC1-3.81-夹子	1002B0001AV	P	磷青铜	镀镍
2	LC1-3.5-盖子	1021C0YXXAV	1	PA66-V0	
1	LC1-3.5-本体	1021A0YXXAV	1	PA66-V0	
NO.	NAME OF PART	NO. OF PART	Q'TY	MATERIAL	NOTES
DES.	ARKINE	DATE	11-04-06	UNITS	MM
CHK.		DATE		SIZE	A4
APP.		DATE		SCALE	1:1
				DWG NO.	SP-2-1021001
				TITLE	LC1-3.5-XP-1Y-00A
					LC1-3.5-成品

上海联捷电气有限公司
 Shanghai Blinker Electric C.O., LTD

REVISION RECORD			
REV.	CONTENT	MOD.	DATE
▲	新发行		



NOTES:

1. Voltage Rating: 300V, Current Rating: 8A
2. PITCH: 3.81mm
3. Insulation Withstands Voltage: AC2500V/min
4. Insulation Resistance: 500MΩ or more at DC500V
5. Using Temperature Range: -40° C - +105° C
6. Suitable Electric Wire: 28-16AWG
7. Screw Torque Value: 0.2Nm

技术要求:

1. 额定电压: 300V, 额定电流: 8A
2. 间距: 3.81mm
3. 耐电压值: AC 2500V/min
4. 绝缘阻抗500兆欧
5. 使用条件: -40° - +105°
6. 适用线规: 28-16AWG
7. 螺丝拉力: 0.2Nm

5	LC1-3.81-螺丝	SP0YA204801V	P	碳钢	三价钝化彩锌
4	LC1-3.81-夹子	1002B0001AV	P	磷青铜	镀镍
3	LC1-3.81-铜方块	F1A0RLC3813V	P	黄铜	镀镍
2	LC1-3.81-盖子	1002C0YXXAV	1	PA66-Y0	
1	LC1-3.81-本体	1002A0YXXAV	1	PA66-Y0	
NO.	NAME OF PART	NO. OF PART	Q'TY	MATERIAL	NOTES
DES.	ARKINE	DATE	2010/5/8	UNITS	mm
CHK.		DATE		SIZE	A4
APP.		DATE		SCALE	1:1
				DWG NO.	SP-2-1002002
				REV:	Y0
上海联捷电气有限公司 Shanghai Elinker Electric CO., LTD				TITLE	LC1-3.81-XP-1Y-00A LC1-3.81-成品

	pitch dimension			Nominal dimension					— /
	over 0	over 6	over 10	over 0	over 30	over 60	over 100	over 150	
variable range	to 6	to 10	to 24	to 30	to 60	to 100	to 150		∠ ⌒
Tolerance	±0.1	±0.15	±0.25	±0.2	±0.3	±0.5	±0.7	±1.0	0.05/10