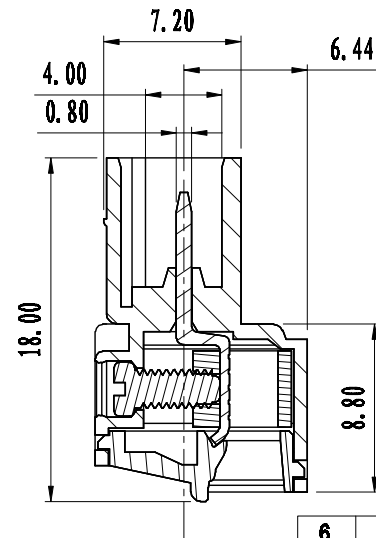
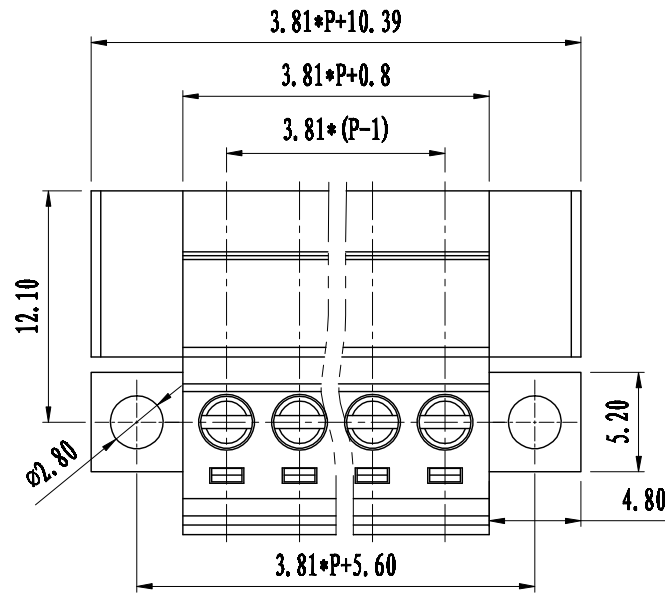
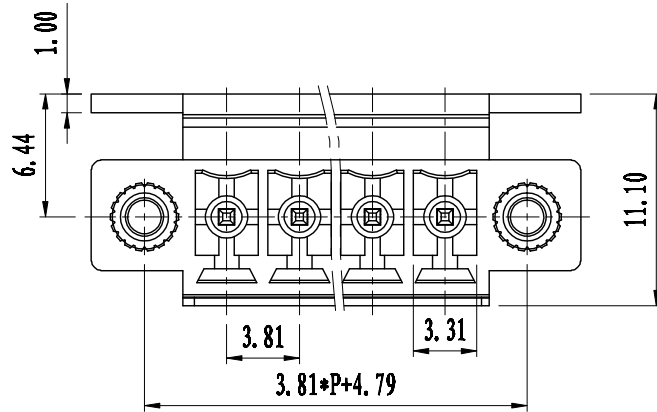


REVISION RECORD			
REV.	CONTENT	MOD.	DATE
△	初版发行		



NOTES:

Pitch: 3.81mm Pole: 2-24P
 Rated Voltage: 300V
 Rated Current: 8A
 Withstand Voltage: AC2500V for 1 minute
 Insulation Resistance : 500MΩ/DC500V
 Using Temperature Range : -40℃+150℃
 Wire range : 30-16 AWG
 Screw Torque Value : 0.6N.m

技术要求:

间距: 3.81mm 极数: 2-24P
 额定电压: 300V
 额定电流: 8A
 耐电压值: AC 2500V/min
 绝缘阻抗: 500MΩ
 使用条件: -40℃ -+105℃
 适用线规: 30-16AWG
 螺丝扭矩: 0.6 N.m

6	LZ1-耳朵螺母	SNM0250010V	2	黄铜	
5	LC10-3.81方针	1054B0001AV	P	紫铜	镀雾锡
4	LC1-3.81-方块	F1A0BLC3813V	P	黄铜	镀镍
3	LC18-3.81-螺丝	SSM0200030V	P	碳钢	三价铬钝化彩锌
2	LC1-3.81盖板	1002C0YXXAV	1	PA66-V0	
1	LC10NMG-3.81主体	1151M0YXXAV-2	1	PA66-V0	
NO.	NAME OF PART	NO. OF PART	Q'TY	MATERIAL	NOTES
DES.	ZTT	DATE 2017/12/27	UNITS	mm	THIRD ANGLE PROJECTION
CHK.		DATE	SIZE	A4	1 of 1
APP.		DATE	SCALE	1:1	DWG NO. SP-1-1054M400 REV:V0
				上海联捷电气有限公司 Shanghai Elinker Electric CO.,LTD	
				TITLE LC10NMG-3.81-XXP-1Y-00A LC10NMG-3.81成品	

	pitch dimension			Nominal dimension					— /
	over 0	over 6	over 10	over 0	over 30	over 60	over 100	over 150	
variable range	to 6	to 10	to 24	to 30	to 60	to 100	to 150		□
Tolerance	±0.1	±0.15	±0.25	±0.2	±0.3	±0.5	±0.7	±1.0	○