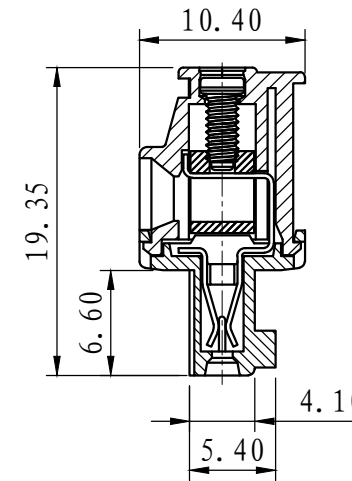
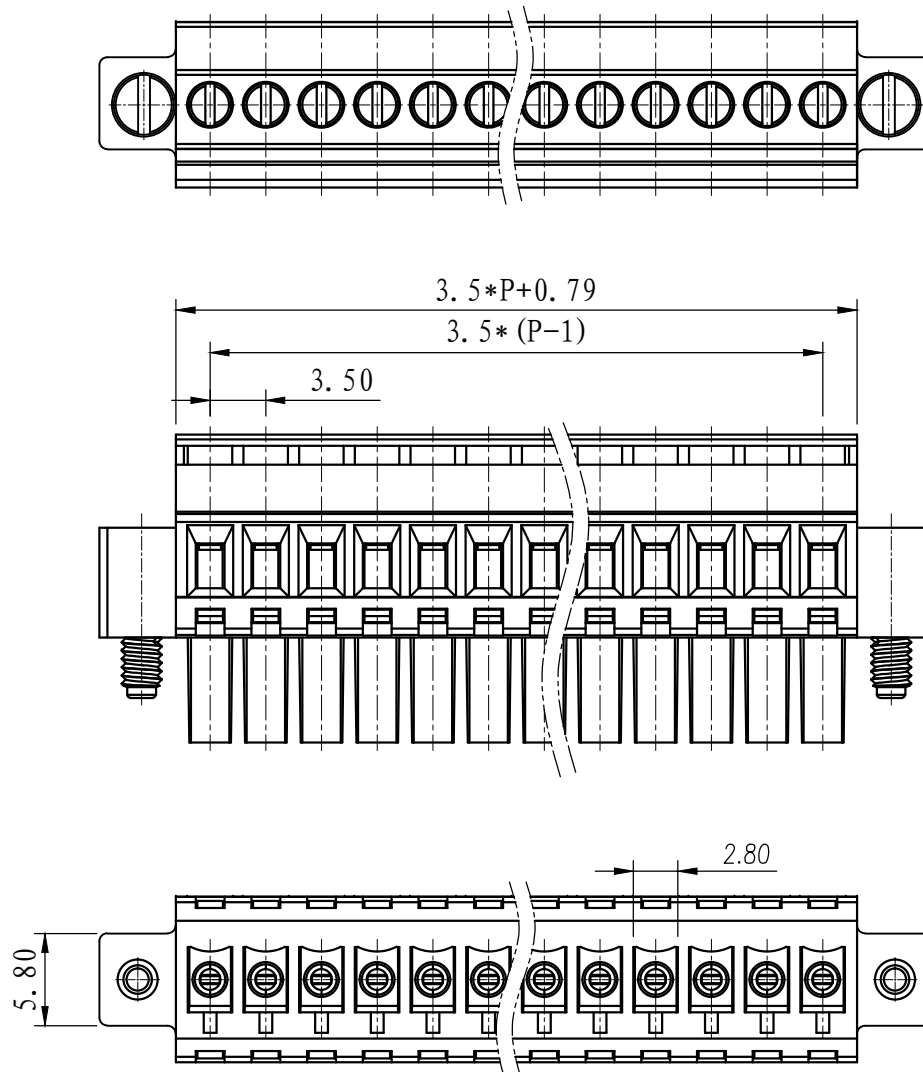


REVISION RECORD			
REV.	CONTENT	MOD.	DATE
△	初版发行		



NOTES:

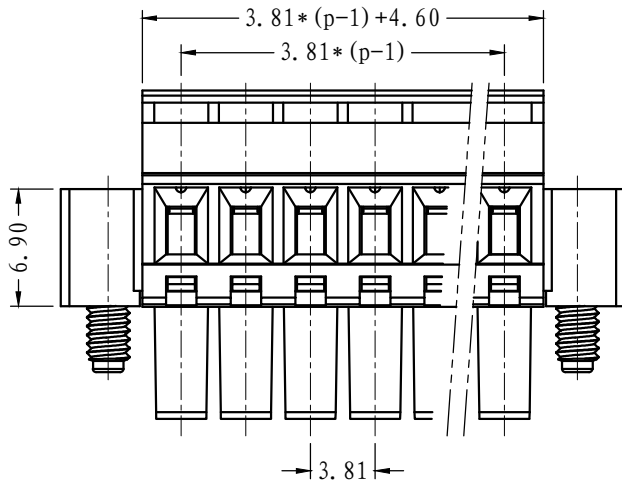
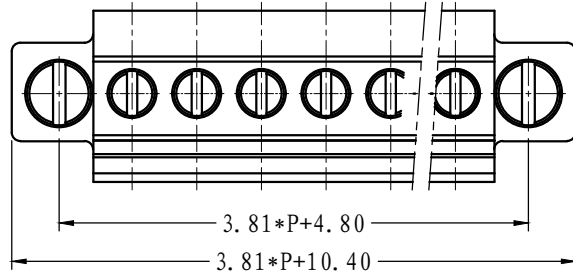
1. Voltage Rating: 300V, Current Rating: 8A
2. PITCH: 3.5mm
3. Insulation Withstands Voltage: AC2500V/min
4. Insulation Resistance: 500MΩ or more at DC500V
5. Using Temperature Range: -40° C - +105° C
6. Suitable Electric Wire: 30-14AWG
7. Screw Torque Value: 0.2N.m

技术要求:

1. 额定电压: 300V, 额定电流: 8A
2. 间距: 3.5mm
3. 耐电压值: AC 2500V/min
4. 绝缘阻抗500兆欧
5. 使用条件: -40° - +105°
6. 适用线规: AWG 30-14
7. 螺丝扭力: 0.2 N.m

	pitch dimension			Nominal dimension					— □ ○
	over 0 to 6	over 10 to 10	over 24 to 24	over 0 to 30	over 30 to 60	over 60 to 100	over 100 to 150	over 150 to 150	
variable range	0 to 6	10 to 10	24 to 24	0 to 30	30 to 60	60 to 100	100 to 150	150 to 150	□ ○
Tolerance	±0.1	±0.15	±0.25	±0.2	±0.3	±0.5	±0.7	±1.0	0.05/10

5	LC1-3.81-螺丝	SPOYA204802V	P	碳钢	三价铬钝化彩锌
4	LC1-3.81-铜方块	F1A0BLC3813V	P	黄铜	镀镍
3	LC2-3.81-夹子	1022B0001AV	P	磷铜	镀镍
2	LC2-3.5-盖板	1128C40XXAV	1	PA66-V0	
1	LC2M-3.5-主体	1128M40XXAV	1	PA66-V0	
NO.	NAME OF PART	NO. OF PART	Q' TY	MATERIAL	NOTES
DES.	LDD	DATE	14-11-04	UNITS	MM
CHK.	DATE		SIZE	A4	THIRD ANGLE PROJECTION
APP.	DATE		SCALE	1:1	SHEET 1 of 1
DWG NO. SP-1-1021002					REV: V0
 <b>上海联捷电气有限公司</b> Shanghai Elinker Electric C.O.,LTD				TITLE	LC2BM-3.5-XXP-1Y-00A LC2BM-3.5成品



NOTES:

1. Voltage Rating: 300V, Current Rating: 8A  
 PITCH: 3.81mm  
 Insulation Withstands Voltage: AC2500V/min  
 Insulation Resistance: 500MΩ or more at DC500V  
 Using Temperature Range:

技术要求:

6	LC1-系列-耳朵螺丝	SPOYA255301V	2		
5	LC1-3.81-螺丝	SPOYA204801V	P		
4	LC1-3.81-铜方块	F1A0BLC3813V	P		
3	LC2-3.81-夹子	1022B0001AV	P		
2	LC2-3.81-盖板	1022C0YXXAV	1		
1	LC2M-3.81-主体	1022M0YXXAV	1		
NO.	NAME OF PART	NO. OF PART	Q'TY	M	
DES.	ARKINE	DATE	11-05-20	UNITS	MM
CHK.		DATE		SIZE	A4
APP.		DATE		SCALE	1: 1

三价铬钝化彩锌  
 三价铬钝化彩锌  
 镀镍  
 镀镍

上海联捷电气有限公司  
 Shanghai Elinker Electric C.O,LTD

NOTES  
 PROJECTION SHEET  
 1 of 1  
 +2-1022002 | REV: V0  
 C2BM-3.81-XXP-1  
 LC2BM-3.81-成品