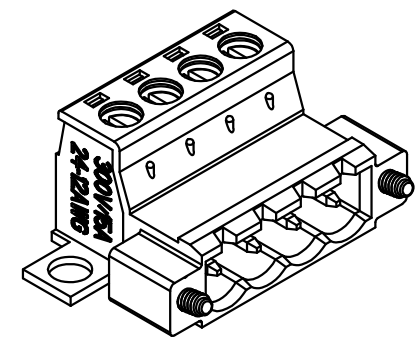
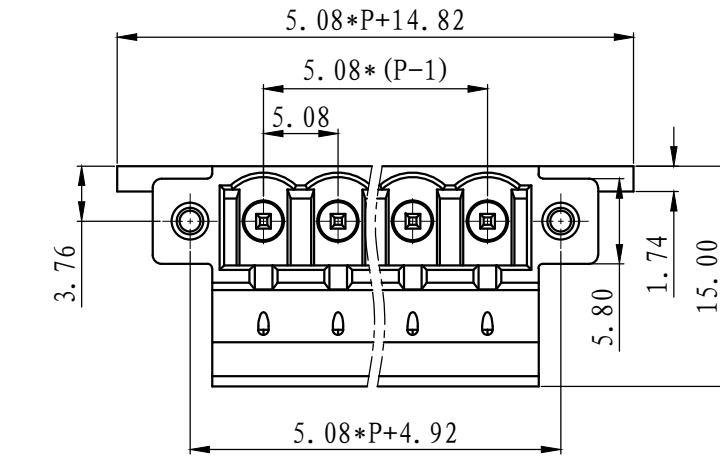
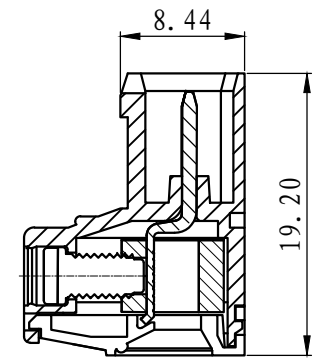
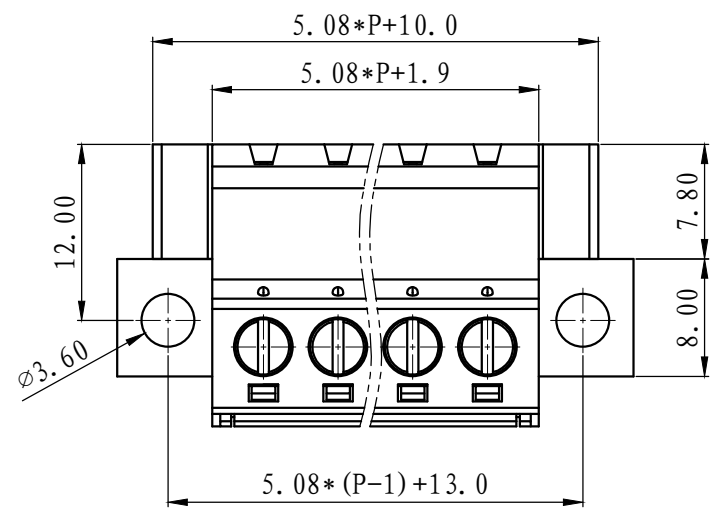


REVISION RECORD			
REV.	CONTENT	MOD.	
△	初版发行		



- NOTES:
1. Voltage Rating: 300V, Current Rating: 15A
 2. PITCH: 5.08mm
 3. Insulation Withstands Voltage: AC2500V/min
 4. Insulation Resistance: 500MΩ or more at DC500V
 5. Using Temperature Range: -40° C - +105° C
 6. Suitable Electric Wire: 24-12AWG
 7. Screw Torque Value: 0.5Nm



- 技术要求:
1. 额定电压: 300V, 额定电流: 15A
 2. 间距: 5.08mm
 3. 耐压值: AC 2500V/min
 4. 绝缘阻抗: 500兆欧
 5. 使用条件: -40° - +105°
 6. 适用线规: 24-12AWG
 7. 螺丝扭力: 0.5N.m

6	LZ1-耳朵螺母	SM01B350000V	2	碳钢	三价铬钝化彩锌		
5	LC10-5.08-焊脚	1011B0001AV	P	紫铜	镀雾锡		
4	LC1-5.08-螺丝	SPOYB305303V	P	碳钢	三价铬钝化彩锌		
3	LC1-5.08-铜方块	F1A0BLC5083V	P	黄铜	镀镍		
2	LC1-5.08-盖板	1001C0YXXAV	1	PA66-V0			
1	LC10NM-5.08-本体	1012M0YXXAV	1	PA66-V0			
NO.	NAME OF PART	NO. OF PART	Q' TY	MATERIAL	NOTES		
DES.	ARKINE	DATE	2011/02/22	UNITS	MM	THIRD ANGLE PROJECTION	SHEET
CHK.		DATE		SIZE	A4		1 of 1
APP.		DATE		SCALE	1:1	DWG NO.	SP-2-1012001
上海联捷电气有限公司 Shanghai Elinker Electric Co., LTD						TITLE	LC10NMG-5.08-XXP-1Y-00A LC10NMG-5.08-成品

	pitch dimension			Naminal dimension					— ◇ ○
	over 0	over 6	over 10	over 0	over 30	over 60	over 100	over 150	
variable range	to 6	to 10	to 24	to 30	to 60	to 100	to 150		
Tolerance	±0.1	±0.15	±0.25	±0.2	±0.3	±0.5	±0.7	±1.0	0.05/10