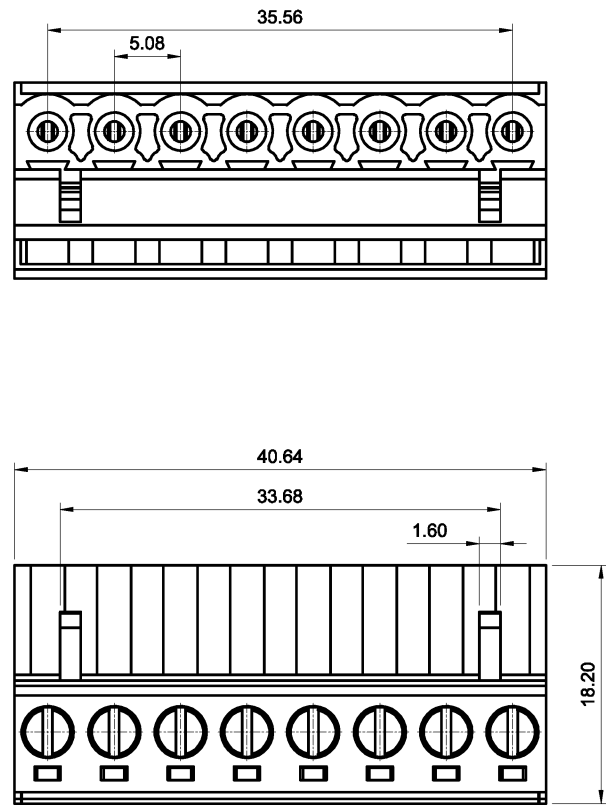


| REVISION | | RECORD | |
|----------|---------|--------|------|
| REV. | CONTENT | MOD. | DATE |
| ▲ | 初版发行 | | |

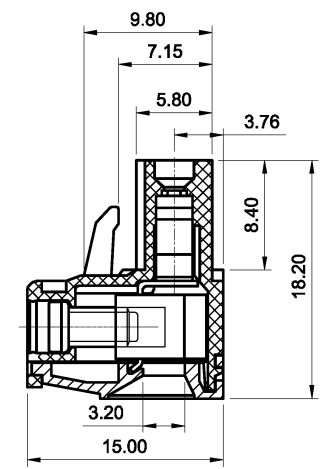


NOTES:

1. Voltage Rating: 300V, Current Rating: 15A
2. PITCH: 5.08mm
3. Insulation Withstands Voltage: AC2500V/min
4. Insulation Resistance: 500MΩ or more at DC500V
5. Using Temperature Range: -40° C - +105° C
6. Suitable Electric Wire: 28-12AWG
7. Screw Torque Value: 0.5 N.m

技术要求:

1. 额定电压: 300V, 额定电流: 15A
2. 间距: 5.08mm
3. 耐电压值: AC 2500V/min
4. 绝缘阻抗500兆欧
5. 使用条件: -40° - +105°
6. 适用线规: 28-12AWG
7. 螺丝扭力:



| | pitch dimension | | | Nominal dimension | | | | | — / |
|----------------|-----------------|--------------|---------------|-------------------|---------------|----------------|-----------------|--------|---------|
| | over 0 to 6 | over 6 to 10 | over 10 to 24 | over 0 to 30 | over 30 to 60 | over 60 to 100 | over 100 to 150 | — / | |
| variable range | 0 to 6 | 6 to 10 | 10 to 24 | 0 to 30 | 30 to 60 | 60 to 100 | 100 to 150 | — / | |
| Tolerance | ±0.1 | ±0.15 | ±0.25 | ±0.2 | ±0.3 | ±0.5 | ±0.7 | ±1.0 | 0.05/10 |

| | | | | | |
|------|--------------|--------------|----------|----------|---------------------|
| 5. | LC1-5.08-夹子 | 1001B0001AV | 8 | 磷青铜 | 镀镍 |
| 4. | LC1-5.08-铜方块 | F1A0BLC5083V | 8 | 黄铜 | 镀镍 |
| 3. | LC1-5.08-螺丝 | SPOYA305302V | 8 | 碳钢 | 三价铬钝化彩锌 |
| 2. | LC1-5.08-盖子 | 1001C4008AV | 1 | PA66-V0 | 绿色 |
| 1. | LC1-5.08-主体 | 1001A4008AV | 1 | PA66-V0 | 绿色 |
| NO. | NAME OF PART | NO. OF PART | Q'TY | MATERIAL | NOTES |
| DES. | WL | DATE | 18-05-08 | UNITS | MM |
| CHK. | | DATE | | SIZE | A4 |
| APP. | | DATE | | SCALE | 1:1 |
| | | | | DWG NO. | SP-1-10010A01 |
| | | | | TITLE | LC1-5.08-8P-140-00A |
| | | | | | LC1-5.08-成品 |

上海联捷电气有限公司
Shanghai Blinker Electric C.O.,LTD