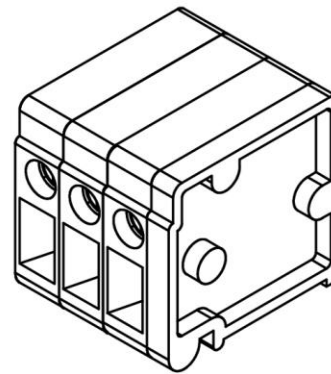
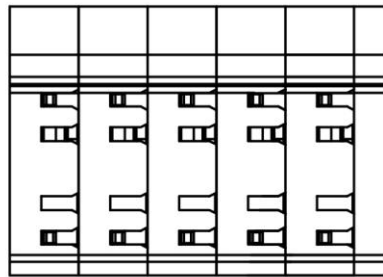
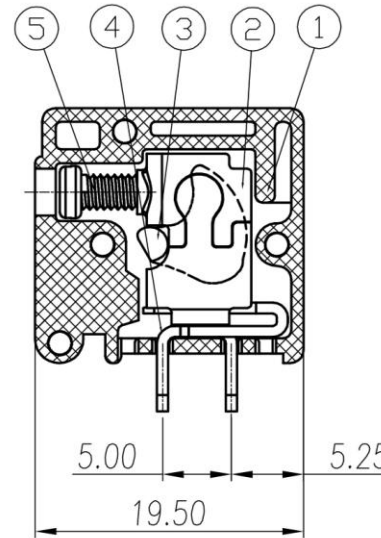
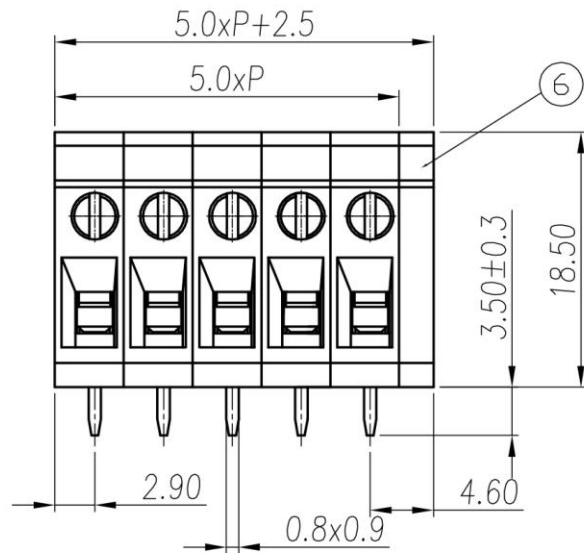


REVISION RECORD			
REV.	CONTENT	MOD.	DATE
△	初版发行		



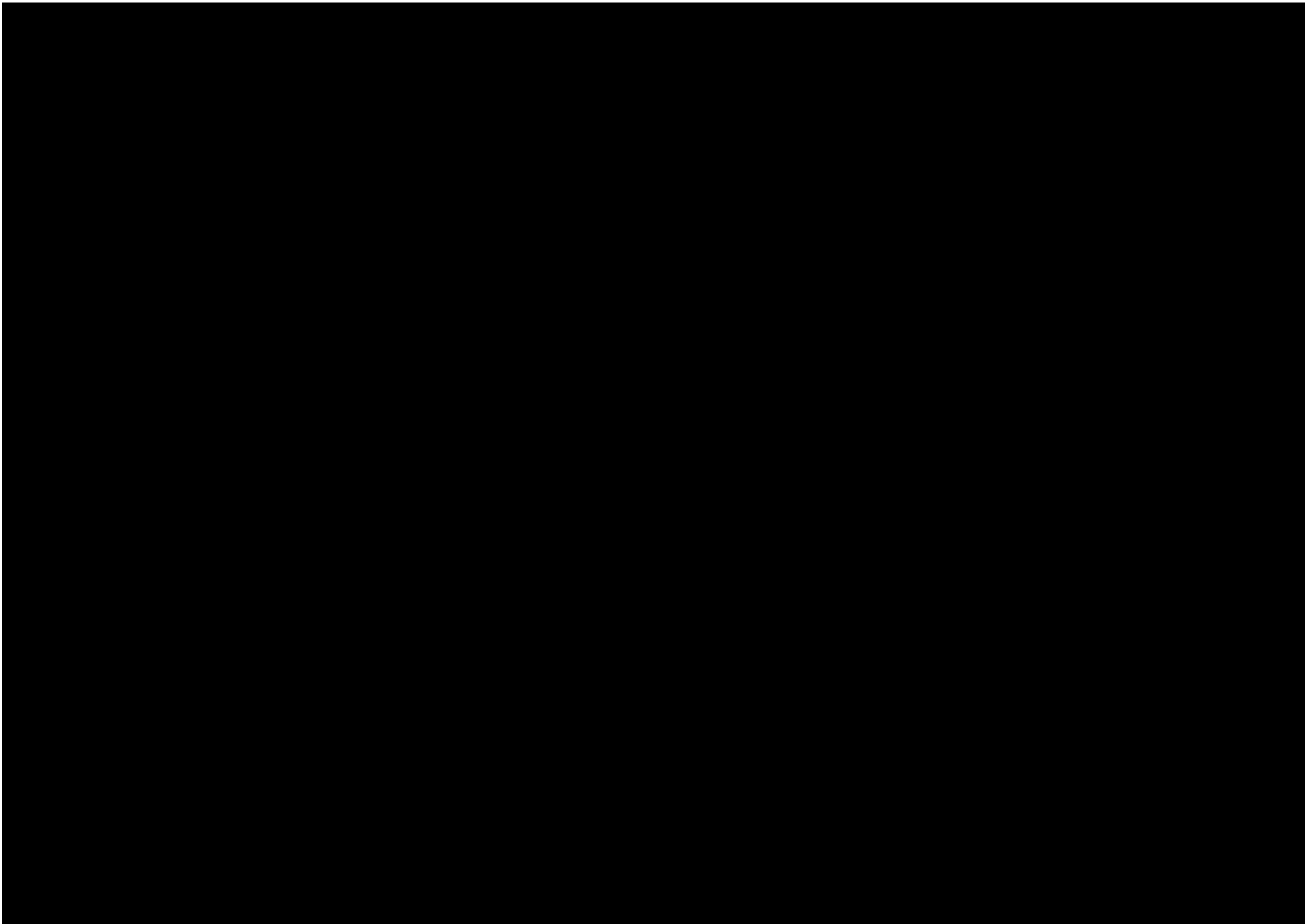
**NOTES:**  
 Pitch : 5.0mm  
 Rated Voltage : 300V  
 Rated Current : 10A  
 Withstand Voltage :  
 AC2000V for 1 minute  
 Insulation Resistance :  
 1000MΩ / DC500V  
 Using Temperature Range :  
 - 40℃ ~ + 105℃  
 Wire range :30~ 12AWG  
 Screw Torque Value : 0.44Nm

**技术要求:**  
 间距: 5.0mm  
 额定电压: 300V  
 额定电流: 10A  
 耐电压值: AC2000V/min  
 绝缘阻抗: 1000MΩ/DC500V  
 使用条件: -40℃~+105℃  
 适用线规: 30~12AWG  
 螺丝扭矩: 0.44Nm

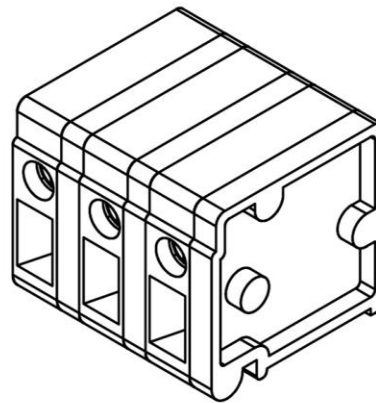
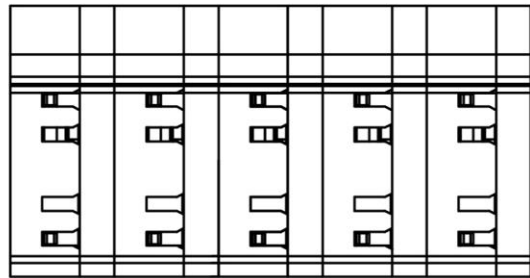
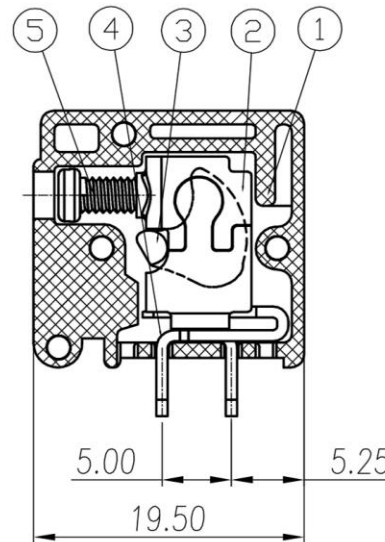
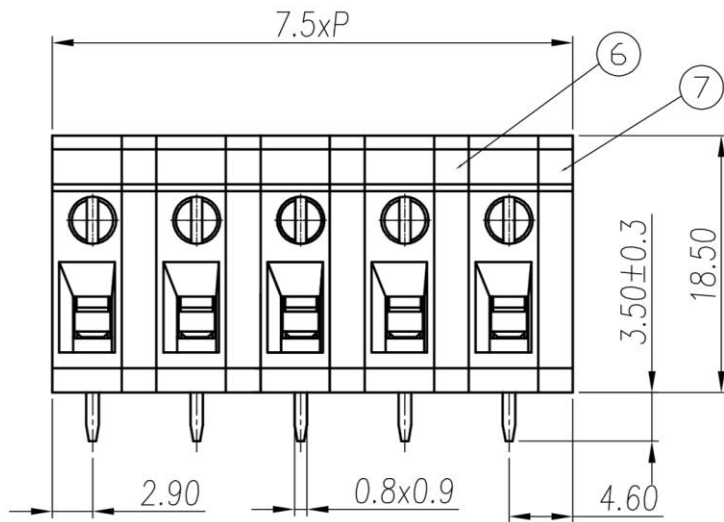
TOLERANCES EXCEPT AS NOTED

variable range	linear dimension				fillet	chamfer	short angle				≡	—	□	//	⊥	
	to 6	over 6 to 30	over 30 to 120	over 120 to 480			to 6	over 6 to 10	over 10 to 50	over 50 to 120						all
Tolerance	±0.1	±0.2	±0.3	±0.5	±0.2	±0.5	±1	1°	30'	20'	10'	0.3	0.025	0.06	0.12	0.4

6	LG105R-2.5-盖板	2010C4Y01AV	1	PA66	UL94, V-0
5	LC3-5.08-螺丝	SSM0250020V	P	碳钢	三价铬钝化彩锌
4	LG105R-A焊脚	2010B00010V	P	紫铜	镀镍、镀锡
3	LC3-5.08-压块	1009B00010V	P	碳钢	三价铬钝化彩锌
2	LC3-5.08-铁方盒	F000000060V	P	碳钢	三价铬钝化彩锌
1	LG105R-5.0-主体	2010A4Y01AV	P	PA66	UL94, V-0
NO.	NAME OF PART	NO. OF PART	Q'TY	MATERIAL	NOTES
DES.	DATE	11-03-25	UNITS	MM	THIRD ANGLE PROJECTION SHEET
CHK.	DATE		SIZE	A4	1 of 1
APP.	DATE		SCALE	2:1	DWG NO. SP-2-2010002
上海联捷电气有限公司 Shanghai Blinker Electric C.O., LTD				TITLE	LG105R-5.0A-XXP-140-00A LG105R-5.0A



REVISION RECORD			
REV.	CONTENT	MOD.	DATE
△	初版发行		



**NOTES:**

Pitch : 7.5mm  
 Rated Voltage : 300V  
 Rated Current : 10A  
 Withstand Voltage :  
 AC2000V for 1 minute  
 Insulation Resistance :  
 1000MΩ / DC500V  
 Using Temperature Range :  
 - 40℃ ~ + 105℃  
 Wire range :30~ 12AWG  
 Screw Torque Value : 0.44Nm

**技术要求:**

间距: 7.5mm  
 额定电压: 300V  
 额定电流: 10A  
 耐电压值: AC2000V/min  
 绝缘阻抗: 1000MΩ/DC500V  
 使用条件: -40℃~+105℃  
 适用线规: 30~12AWG  
 螺丝扭矩: 0.44Nm

TOLERANCES EXCEPT AS NOTED

	linear dimension				fillet	chamfer	∠ short angle sid				≡	—	□	//	⊥	
	to	over	over	over		over	over	over	over		over	over	over			
variable range	to 6	to 30	to 120	to 480	all	to 6	to 10	to 50	to 120	all	to 5	to 30	to 120	to 120		
Tolerance	±0.1	±0.2	±0.3	±0.5	±0.2	±0.5	±1	1'	30'	20'	10'	0.3	0.025	0.06	0.12	0.4

7	LG105R-2.5-盖板	2010C4Y01AV	1	PA66	UL94, V-0
6	LG105R-2.5-隔板	2010H4Y01AV	P-1	PA66	UL94, V-0
5	LC3-5.08-螺丝	SSM0250020V	P	碳钢	三价铬钝化彩锌
4	LG105R-A焊脚	2010B00010V	P	紫铜	镀镍、镀锡
3	LC3-5.08-压块	1009B00010V	P	碳钢	三价铬钝化彩锌
2	LC3-5.08-铁方盒	F000000060V	P	碳钢	三价铬钝化彩锌
1	LG105R-5.0-主体	2010A4Y01AV	P	PA66	UL94, V-0
NO.	NAME OF PART	NO. OF PART	Q'TY	MATERIAL	NOTES
DES.	XULIMIN	DATE	11-03-25	UNITS	MM
CHK.		DATE		SIZE	A4
APP.		DATE		SCALE	2:1
				DWG NO.	SP-2-2010002
				TITLE	LG105R-7.5A-XXP-140-00A
					LG105R-7.5A