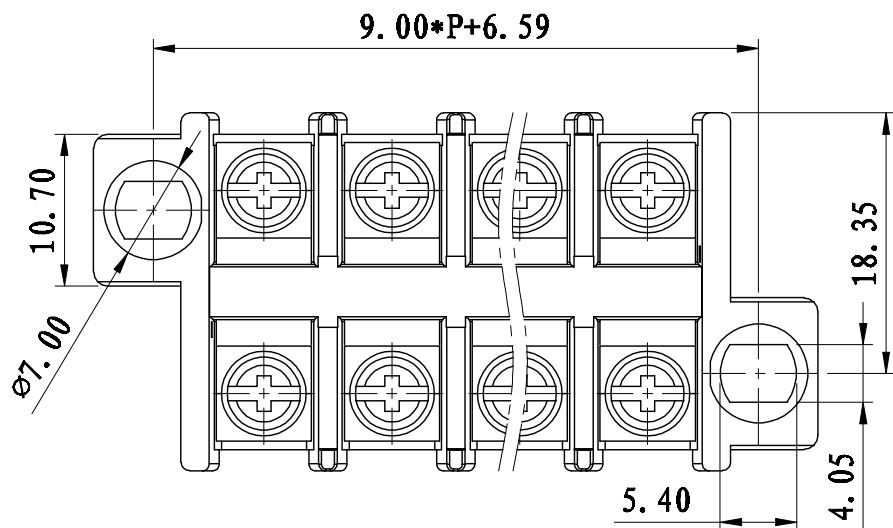
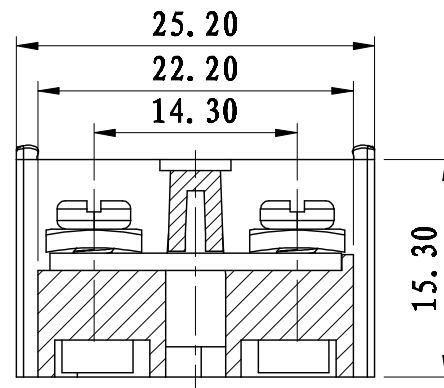
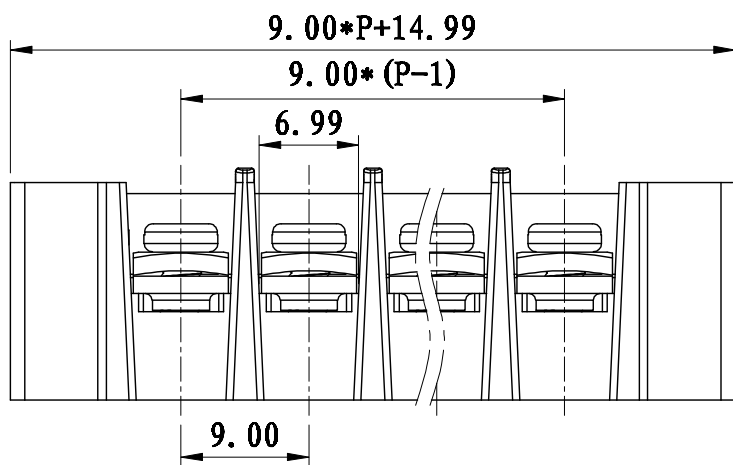


REVISION RECORD			
REV.	CONTENT	MOD.	DATE
▲	出版发行		



技术要求:  
 极数: 组装  
 额定电压: 600V  
 额定电流: 15A  
 螺钉类型/扭力: M3/0.5N.m  
 绝缘材料类型: PC  
 阻燃等级: V1  
 适合线规: 22-16AWG



	pitch dimension			Nominal dimension					—
	over 0	over 6	over 10	over 0	over 30	over 60	over 100	over 150	
variable range	to 6	to 10	to 24	to 30	to 60	to 100	to 150		▱
Tolerance	±0.1	±0.15	±0.25	±0.2	±0.3	±0.5	±0.7	±1.0	○

3	JH9-15A导电件	6JH9BDD01.5BY	P	黄铜	镀锌
2	3*7-6.5*6.5	SPFPA307031Y	2P	碳钢	三价五彩盐雾48小时
1	TB1-1504-A (SL)	6TB1E301040Y-2	1	PC	
NO.	NAME OF PART	NO. OF PART	Q'TY	MATERIAL	NOTES
DES.	WL	DATE	18-12-13	UNITS	mm
CHK.		DATE		SIZE	A4
APP.		DATE		SCALE	1:1
DWG NO.		SP-2-2062001		REV: V0	
上海联捷电气有限公司 Shanghai Elinker Electric CO., LTD				TITLE	
				TB1-15XX-A-00A (SL) TB1-15XX-A-成品 (SL)	