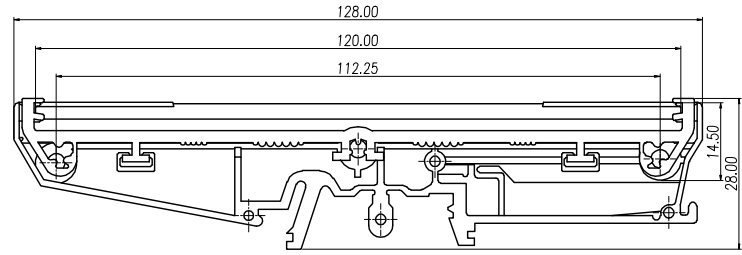
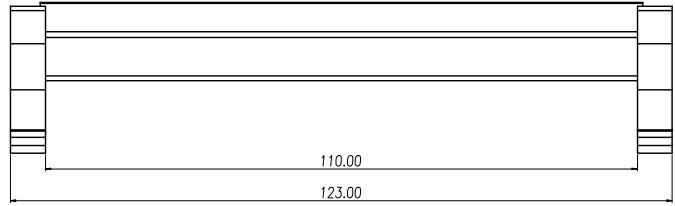
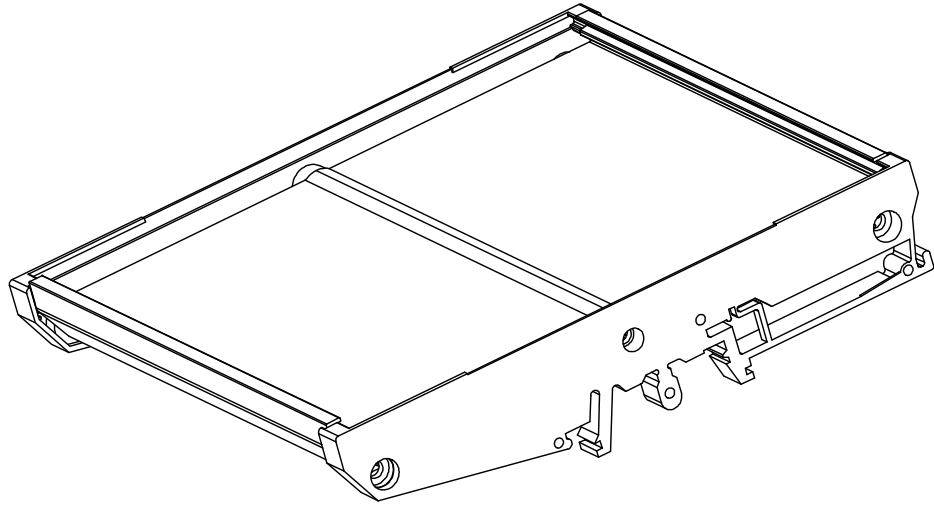
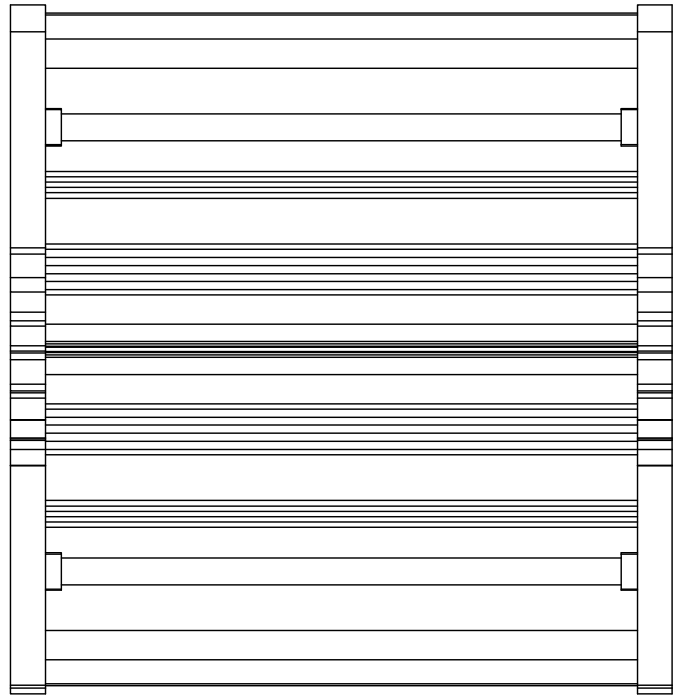


REVISION RECORD			
REV.	CONTENT	MOD.	DATE
①	初版发行		



	pitch dimension			Nominal dimension					— /
	over 0 to 6	over 6 to 10	over 10 to 24	over 0 to 30	over 30 to 60	over 60 to 100	over 100 to 150	over 150	
variable range	0	6	10	0	30	60	100	150	□
Tolerance	±0.1	±0.15	±0.25	±0.2	±0.3	±0.5	±0.7	±1.0	○

3	MB120-A-40-右件	8008A4000AV-2	1	PA66-V0	
2	MB120-A-40-左件	8008A4000AV-1	1	PA66-V0	
1	JUM-120-A-40	8008A4001AV	1	PA66-V0	
NO.	NAME OF PART	NO. OF PART	QTY	MATERIAL	NOTES
DES.	WL	DATE	18-10-29	UNITS	MM
CHK.		DATE		SIZE	A4
APP.		DATE		SCALE	1:1
上海联捷电气有限公司 Shanghai Elinker Electric Co., Ltd				TITLE	JUM-120-A-40 JUM-120-A-40-成品
				THIRD ANGLE PROJECTION	SHEET 1 of 1
				DWG NO.	SP-1-6LD1A05 REV: V0