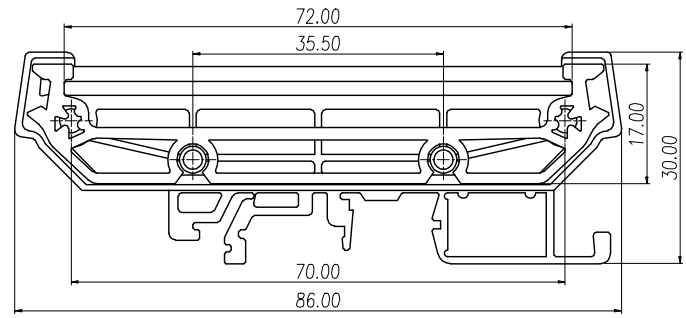
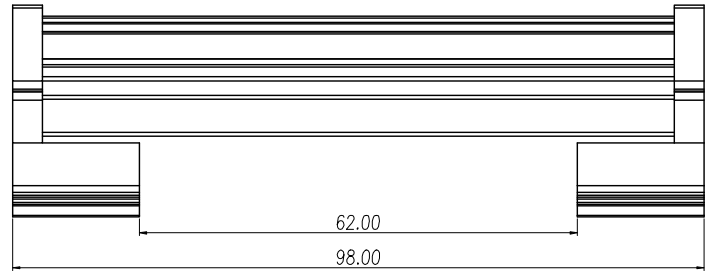
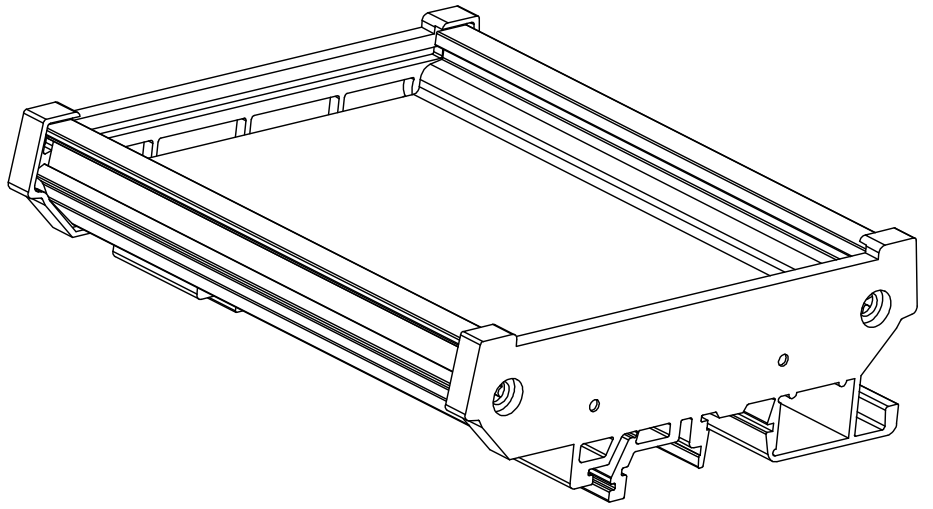
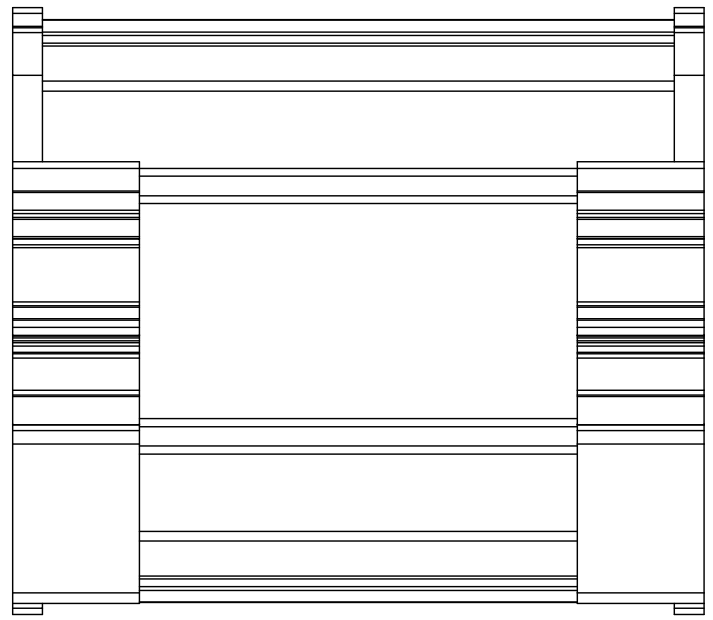


REVISION RECORD			
REV.	CONTENT	MOD.	DATE
①	初版发行		



	pitch dimension			Nominal dimension					— /
	over 0	over 6	over 10	over 0	over 30	over 60	over 100	over 150	
variable range	to 6	to 10	to 24	to 30	to 60	to 100	to 150		□ ○
Tolerance	±0.1	±0.15	±0.25	±0.2	±0.3	±0.5	±0.7	±1.0	0.05/10

3	MB720-B-40-右件	8001A4000AV-2	1	PA66-V0	
2	MB720-B-40-左件	8001A4000AV-1	1	PA66-V0	
1	JUM-72-B-40	8002A4001AV	1	PA66-V0	
NO.	NAME OF PART	NO. OF PART	QTY	MATERIAL	NOTES
DES.	WL	DATE	18-10-29	UNITS	MM
CHK.		DATE		SIZE	A4
APP.		DATE		SCALE	1:1
上海联捷电气有限公司 Shanghai Elinker Electric Co., Ltd				TITLE	JUM-72-B-40 JUM-72-B-40-成品
				THIRD ANGLE PROJECTION	SHEET 1 of 1
				DWG NO.	SP-1-6LD1A05
				REV:	V0