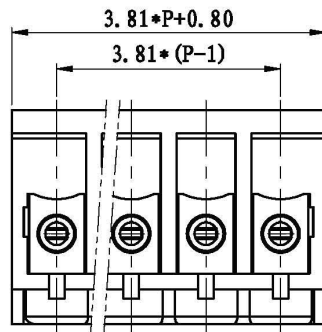


REVISION RECORD			
REV.	CONTENT	MOD.	DATE
▲	新发行		

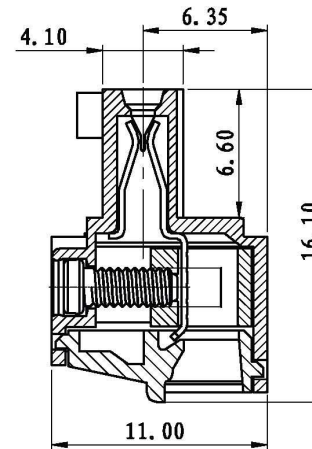
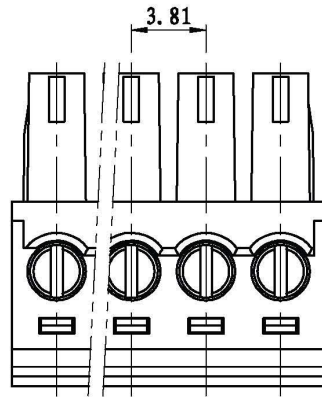


**NOTES:**

1. Voltage Rating: 300V, Current Rating: 8A
2. PITCH: 3.81mm
3. Insulation Withstands Voltage: AC2500V/min
4. Insulation Resistance: 5M  $\Omega$  or more at DC500V
5. Using Temperature Range: -40° C ~ +105° C
6. Suitable Electric Wire: 28-16AWG
7. Screw Torque Value: 0.2Nm

**技术要求:**

1. 额定电压: 300V, 额定电流: 8A
2. 间距: 3.81mm
3. 耐电压值: AC 2500V/min
4. 绝缘阻抗: 5兆欧
5. 使用条件: -40° - +105°
6. 适用线规: 28-16AWG
7. 螺丝扭力: 0.2Nm



	pitch dimension			Nominal dimension					—
	over 0	over 6	over 10	over 0	over 30	over 60	over 100	over 150	
variable range	to 6	to 10	to 24	to 30	to 60	to 100	to 150		▱
Tolerance	±0.1	±0.15	±0.25	±0.2	±0.3	±0.5	±0.7	±1.0	○

5	LC1-3.81-螺钉	SP0Y204001Y	P	碳钢	三价铬钝化零件
4	LC1-3.81-夹子	1002B0001AV	P	磷青铜	镀镍
3	LC1-3.81-铜方块	F1A0BLC3813V	P	黄铜	镀镍
2	LC1-3.81-盖子	1002C0YXXAV	1	PA66-V0	
1	LC1-3.81-本体	1002A0YXXAV	1	PA66-V0	
<b>NO. NAME OF PART NO. OF PART Q'TY MATERIAL NOTES</b>					
DES.	ARKINE	DATE	2010/5/8	UNITS	mm
CHK.		DATE		SIZE	A4
APP.		DATE		SCALE	1:1
				DWG NO.	SP-2-1002001
				REV: V0	
<b>上海联捷电气有限公司</b> Shanghai Elinker Electric CO., LTD				TITLE	
				LC1-3.81-成品	