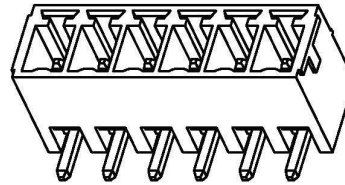
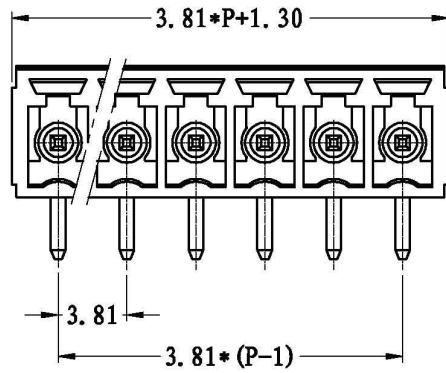


REVISION RECORD			
REV.	CONTBNT	MOD.	DATE
①	初版发行		

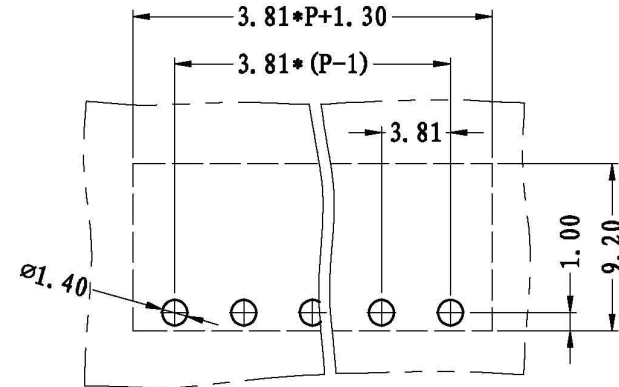
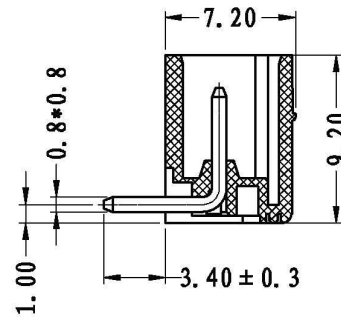
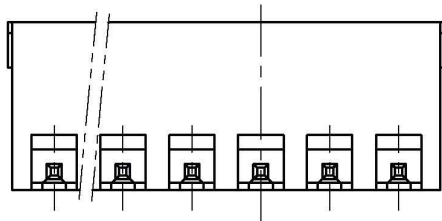


NOTES:

Pitch: 3.81mm  
 Rated Voltage: 300V  
 Rated Current: 8 A  
 Withstand Voltage:  
 AC2500V for 1 minute  
 Insulation Resistance:  
 5MΩ / DC500V  
 Using Temperature Range:  
 -40℃ ~ +105℃

技术要求:

间距: 3.81mm  
 额定电压: 300V  
 额定电流: 8A  
 耐电压值: AC2500V/min  
 绝缘阻抗: 5MΩ/DC500V  
 使用条件: -40℃ ~ +105℃



	pitch dimension			Nominal dimension					—
	over 0	over 6	over 10	over 0	over 30	over 60	over 100	over 150	
variable range	to 6	to 10	to 24	to 30	to 60	to 100	to 150		▱
Tolerance	±0.1	±0.15	±0.25	±0.2	±0.3	±0.5	±0.7	±1.0	○

2	LZ1-3.81-弯针	1003B0002AV	P	黄铜	镀雾锡
1	LZ1-3.81-本体	1003A0YXXAV	1	PA66	
NO.	NAME OF PART	NO. OF PART	Q'TY	MATERIAL	NOTES
DES.	ARKINE	DATE	2010/7/21	UNITS	MM
CHK.	DATE	SCALE	A4	THIRD ANGLE PROJECTION	SHEET
APP.	DATE	SCALE	1:1	DWG NO.	SP-2-1003004
上海联捷电气有限公司 Shanghai Rlinker Electric C.O.,LTD				TITLE	LZ1R-3.81-XP-1Y-00A LZ1R-3.81-成品