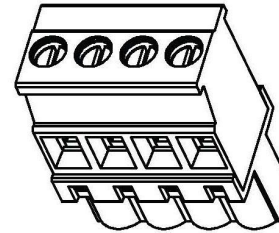
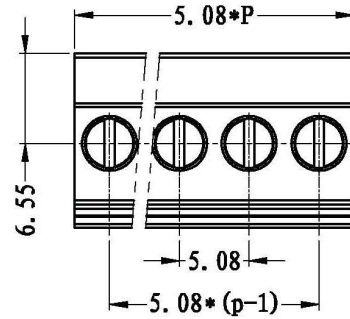


2P-双卡扣

2P-单卡扣



REVISION RECORD

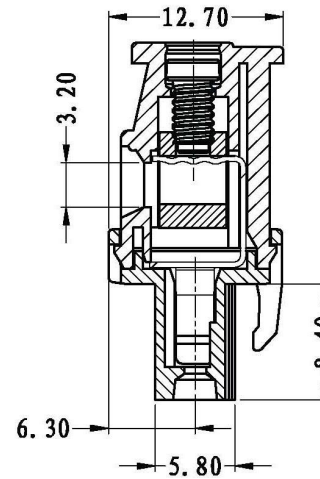
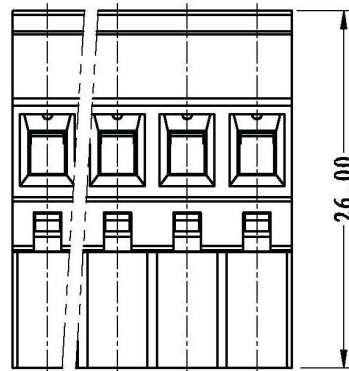
REV.	CONTENT	MOD.	DATE
①	2P结构更改	XLM	11/09/15
②	盖板容易脱落,0.5改为0.7	XLM	11/09/13
③	卡点移位,上边下一0.1MM	XLM	12/03/08
④	改善本体弯曲	LDD	12/08/25

NOTES:

1. Voltage Rating: 300V, Current Rating: 15A
2. PITCH: 5.08mm
3. Insulation Withstands Voltage: AC2500V/min
4. Insulation Resistance: 5MΩ or more at DC1000V
5. Using Temperature Range: -40° C - +105° C
6. Suitable Electric Wire: 3#-12AWG
7. Screw Torque Value: 0.5N.m以上

技术要求:

- 1.额定电压: 300V, 额定电流: 15A
- 2.间距: 5.08mm
- 3.耐受电压: AC 2500V/min
- 4.绝缘电阻: 5兆欧
- 5.使用条件: -40° - +105°
- 6.适用线径: 3#-12AWG
- 7.扭矩值为: 0.5Nm



	pitch dimension			Nominal dimension					— /
	over 0	over 6	over 10	over 0	over 30	over 60	over 100	over 150	
variable range	to 6	to 10	to 24	to 30	to 60	to 100	to 150		□ ○
Tolerance	±0.1	±0.15	±0.25	±0.2	±0.3	±0.5	±0.7	±1.0	0.05/10

5	LC1-5.08-铜方块	F1A0BLC5083V	P	黄铜	镀镍
4	LC1-5.08-螺丝	SP0YB305503V	P	碳钢	三价铬钝化彩锌
3	LC2-5.08-夹子	1006B0001AV	P	磷青铜	镀镍
2	LC2-5.08-主体	1006A0YXXAV	1	PA66-V0	
1	LC2-5.08-盖子	1006C0YXXAV	1	PA66-V0	
NO.	NAME OF PART	NO. OF PART	Q' TY	MATERIAL	NOTES
DES.	ARKINE	DATB	2011/02/28	UNITS	MM
CHK.		DATB		SIZE	A4
APP.		DATB		SCALE	1: 1
				DWG NO.	SP-2-1006002
				REV.	V4
上海联捷电气有限公司 Shanghai Blinker Electric C.O.,LTD				TITLE	LC2B-5.08-XXP-1Y-00A LC2B-5.08-成品