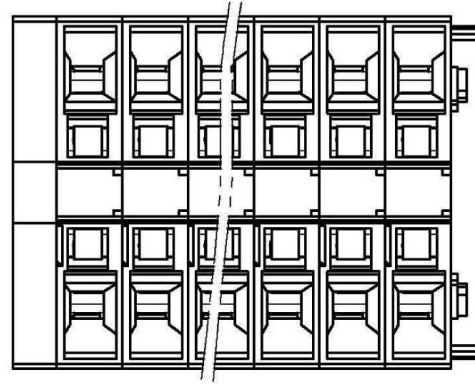


REVISION RECORD			
REV.	CONTENT	MOD.	DATE
△	初版发行		

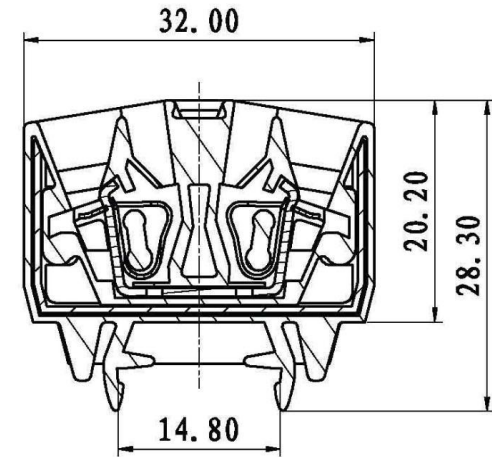
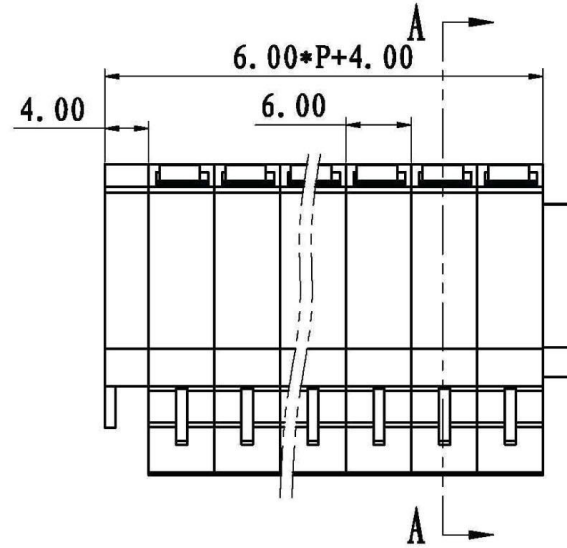
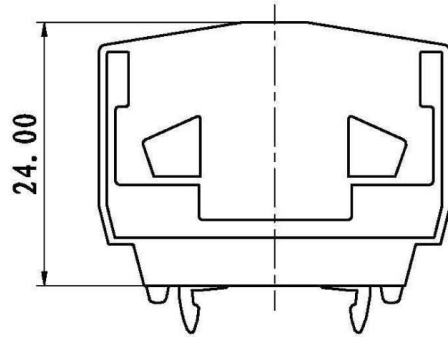


NOTES:

1. Voltage Rating: 600V, Current Rating: 15A
2. PITCH: 6.0mm
3. Using Temperature Range: -40° C - +105° C
4. Suitable Electric Wire: 28-14AWG
5. Insulation Withstands Voltage: AC3000V/min

技术要求:

1. 额定电压: 600V, 额定电流: 15A
2. 间距: 6.0mm
3. 使用条件: -40° - +105°
4. 适用线规: 28-14AWG
5. 耐电压值: AC 3000V/min



剖面 A-A

4	LSC1-弹片	F2A0DLSLC1BV	2P	不锈钢	
3	MST-2.5-导电件	6MSTBDD015A1	P	黄铜	镀镍
2	MBST-2.5-墙板	6MBSCT2L02V	1	PA66	
1	MBST-2.5-本体	6MBSA0Y2L02V	P	PA66	
NO.	NAME OF PART	NO. OF PART	Q'TY	MATERIAL	NOTES
DES.	LDD	DATE	12/10/18	UNITS	mm
CHK.		DATE		SIZE	A4
APP.		DATE		SCALE	1:1
				DWG NO.	SP-2-6MBS001
上海联捷电气有限公司 Shanghai Elinker Electric CO.,LTD				TITLE	MBST-2.5-XXP-1Y-00A MBST-2.5-成品
					THIRD ANGLE PROJECTION
					SHEET 1 of 1
					REV: V0