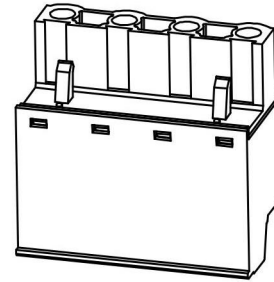
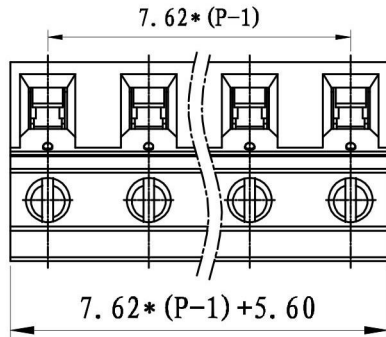


REVISION RECORD			
REV.	CONTENT	MOD.	DATE
▲	初版发行		

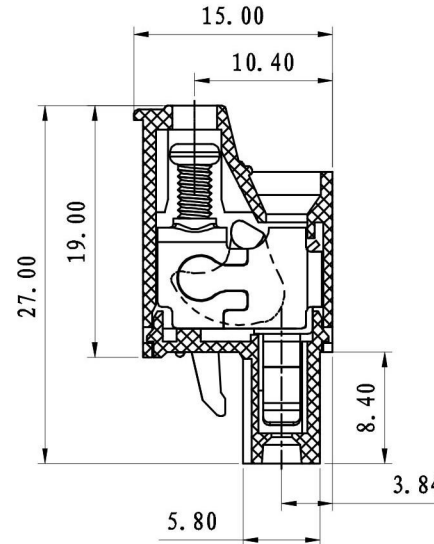
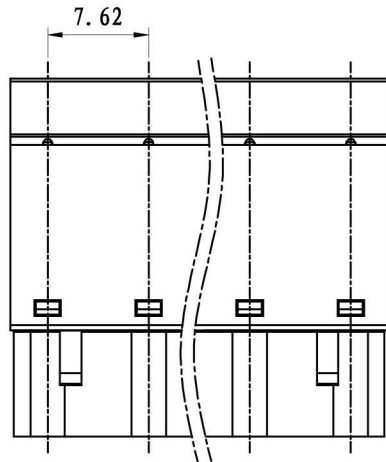


NOTES:

1. Voltage Rating: 300V, Current Rating: 15A
2. PITCH: 7.62mm
3. Insulation Withstands Voltage: AC2500V/min
4. Insulation Resistance: 500MΩ or more at DC500V
5. Using Temperature Range: -40° C - +105° C
6. Suitable Electric Wire: 22-12AWG
7. Screw Torque Value: 0.8 N.m

技术要求:

1. 额定电压: 300V, 额定电流: 15A
2. 间距: 7.62mm
3. 耐电压值: AC 2500V/min
4. 绝缘阻抗500兆欧
5. 使用条件: -40° - +105°
6. 适用线规: 22-12AWG
7. 螺丝扭力: 0.8 N.m



6	LC3-5.08-夹子	1009B0002AV	P	磷青铜	镀锌
5	LC3-5.08-方盒	F1A0ALC358AV	P	碳钢	三价铬钝化彩锌
4	LC3-5.08-压块	1009B0001AV	P	碳钢	三价铬钝化彩锌
3	LC3-5.08-螺丝	SPOYA256501V	P	碳钢	三价铬钝化彩锌
2	LC3-7.62-盖子	1125C0YXXAV	1	PA66	UL94-V0
1	LC3-7.62-本体	1125A0YXXAV	1	PA66	UL94-V0

NO.	NAME OF PART	NO. OF PART	Q'TY	MATERIAL	NOTES
DES.	YJX	DATE	2014/12/02	UNITS	mm
CHK.		DATE		SIZE	A4
APP.		DATE		SCALE	1:1

				上海联捷电气有限公司 Shanghai Blinker Electric C.O, LTD	
TITLE				SP-2-1125002 REV: V0 LC3-7.62-XP-1Y-00A LC3-7.62-成品	

	pitch dimension			Nominal dimension					— ▭ ○
	over 0	over 6	over 10	over 0	over 30	over 60	over 100	over 150	
variable range	to 6	to 10	to 24	to 30	to 60	to 100	to 150		
Tolerance	±0.1	±0.15	±0.25	±0.2	±0.3	±0.5	±0.7	±1.0	0.05/10