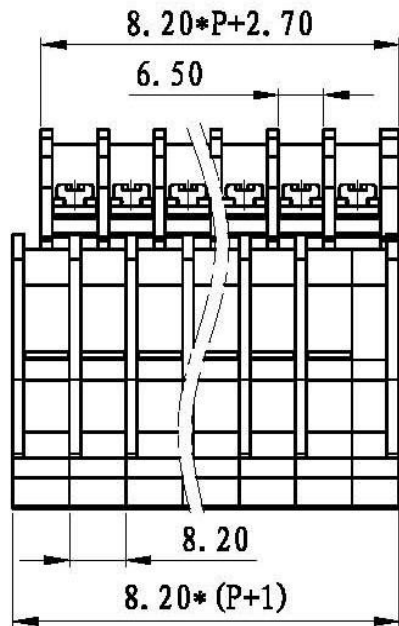
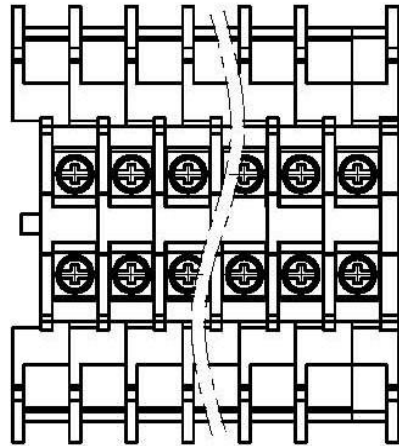
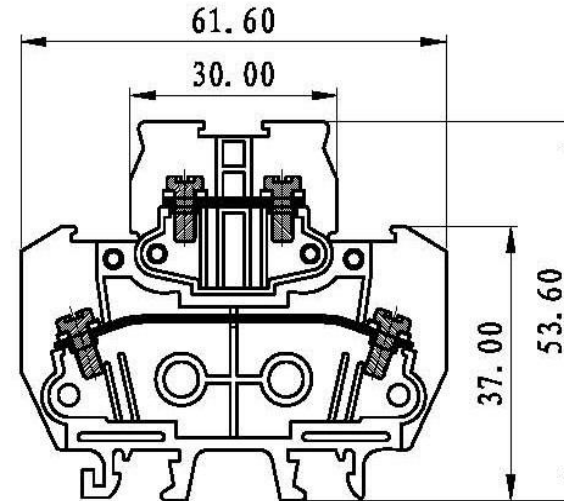


REVISION RECORD

REV.	CONTENT	MOD.	DATE
①	初版发行		



技术要求:
 极数: 组装
 额定电压: 600V
 额定电流: 17.5A
 螺钉类型/扭力: M3/0.5 N.m
 绝缘材料类型: PC
 阻燃等级: V1
 导线截面: 1.25-2.0mm²



5	JHY1-TT-螺丝	SPFFA308031V	4P	碳钢	镀锌
4	JHY1-TT-导电件	6JBYBDD0TTAV	P	黄铜	镀镍
3	JHY1-15A-导电件	6JBYBDD015AV	P	黄铜	镀镍
2	JHY1-TT-端板	6JBYC301750V	1	PC	黑色
1	JHY1-TT-本体	6JBYB301750V	P	PC	黑色

	pitch dimension			Nominal dimension					— □ ○
	over 0	over 6	over 10	over 0	over 30	over 60	over 100	over 150	
variable range	to 6	to 10	to 24	to 30	to 60	to 100	to 150		
Tolerance	±0.1	±0.15	±0.25	±0.2	±0.3	±0.5	±0.7	±1.0	0.05/10

NO.	NAME OF PART	NO. OF PART	QTY	MATERIAL	NOTES
DES.	LDD	DATE	2012/09/02	UNITS	mm
CHK.		DATE		SIZE	A4
APP.		DATE		SCALE	1:1
				DWG NO.	SP-1-6JHYB01
				SHEET 1 of 1	
				REV: V0	
				TITLE	JHY1-TT-成品