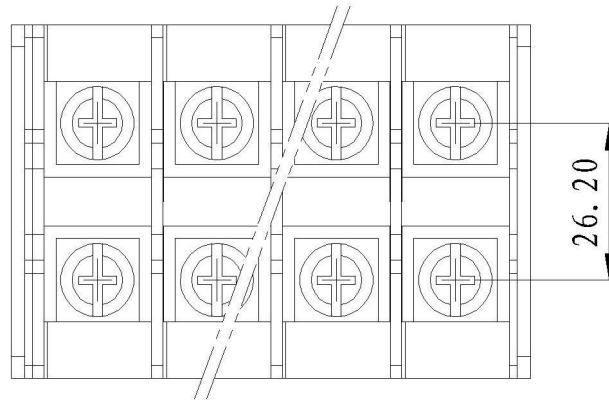
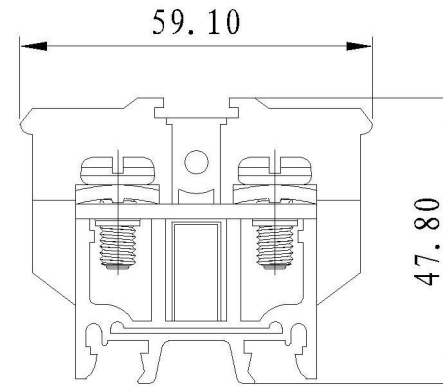
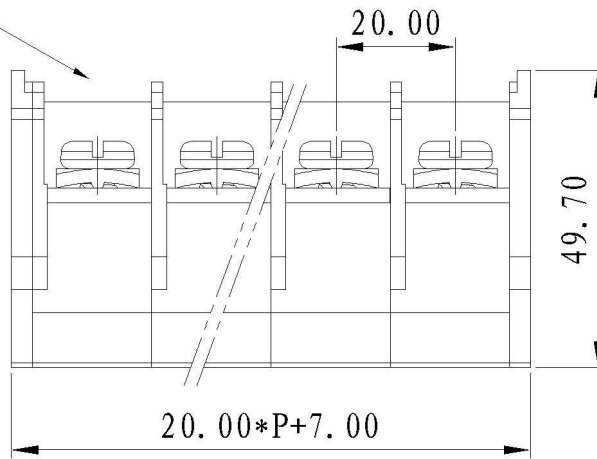


REVISION RECORD			
REV.	CONTENT	MOD.	DATE



技术要求:  
 极数: 组装  
 额定电压: 660V  
 额定电流: 100A  
 螺钉类型/扭力: M6/3.0-6.0  
 绝缘材料类型: PC  
 阻燃等级: V1  
 刚柔性导线: 25mm<sup>2</sup>

备注: 端子上面有透明(防护罩)



TOLERANCES EXCEPT AS NOTED

variable range	linear dimension				fillet	chamfer	short angle sid				≡	—	□	//	⊥	
	to	over	over	over			to	over	over	over						to
to 6	to 30	to 120	to 480	all	to 6	to 10	to 50	to 120	all	to 5	to 30	to 120	to 120	to 120	to 120	
tolerance ±0.1	±0.2	±0.3	±0.5	±0.9	±0.2	±0.5	±1	1'	30'	20'	10'	0.3	0.025	0.06	0.12	0.4

5	JHY1-100A罩盖	6010C000100	1	PC	透明
4	TR-80A螺丝	SSD0600010V	2P	碳钢	镀镍
3	JHY1-100A导电件	6010B00010V	P	H62	镀镍
2	JHY1-100A端板	6010C30XXAV	2	PC	黑色
1	JHY1-100A本体	6010A30XXAV	P	PC	黑色
NO.	NAME OF PART	NO. OF PART	Q'TY	MATERIAL	NOTES
DES.	LDD	DATE	2012/09/03	UNITS	mm
CHK.	DATE		SIZE	A4	THIRD ANGLE PROJECTION
APP.	DATE		SCALE	1:1	DWG NO. 6010A30
上海联捷电气有限公司 Shanghai Elinker Electric CO.,LTD					SHEET 1 of 1 REV: T0 JHY1-100-XX-130-00A JHY1-100A-成品
TITLE					