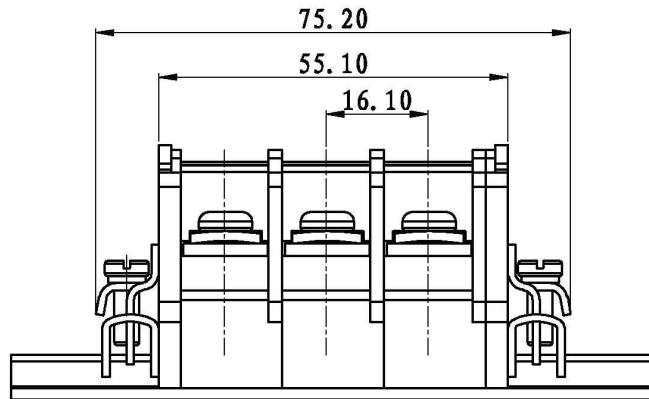
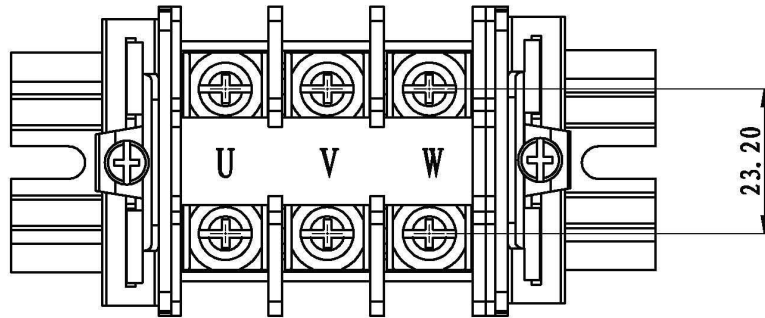
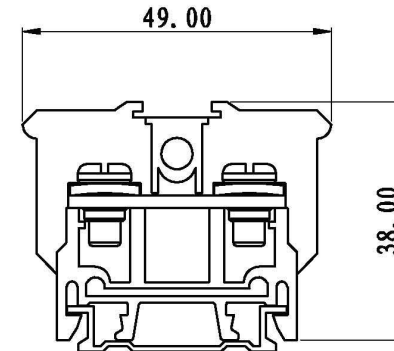


| REVISION RECORD | | | |
|-----------------|---------|------|------|
| REV. | CONTENT | MOD. | DATE |
| ▲ | 初版发行 | | |



技术要求:
 极数: 组装
 额定电压: 660V
 额定电流: 63A
 螺钉类型/扭力: M5/2.0-3.0
 绝缘材料类型: PC
 阻燃等级: V1
 导线截面: 10mm²



TOLERANCES EXCEPT AS NOTED

| | linear dimension | | | | | fillet | chamfer | ∠ short angle sid | | | | ≡ | — | □ | // | ⊥ | |
|----------------|------------------|--------------|----------------|-----------------|-------------|--------|---------|-------------------|-------|-------|--------|-------|------|-------|--------|--------|------|
| | to | over | over | over | over | | | over | over | over | over | | | | | | over |
| variable range | to 6 | over 6 to 30 | over 30 to 120 | over 120 to 480 | over 480 to | all | to 6 | to 10 | to 10 | to 50 | to 120 | to 10 | to 5 | to 30 | to 120 | to 120 | |
| tolerance | ±0.1 | ±0.2 | ±0.3 | ±0.5 | ±0.9 | ±0.2 | ±0.5 | ±1 | 1' | 30' | 20' | 10' | 0.3 | 0.025 | 0.06 | 0.12 | 0.4 |

| 5 | JHY1-63防护罩 | 6042C00010V | 1 | PC | 透明 |
|------|--------------|-------------|------------|----------|------------------------|
| 4 | TR-40-螺丝 | SSD0500010V | 6 | 碳钢 | 镀锌 |
| 3 | JHY1-63导电件 | 6042B00010V | 3 | 黄铜 | 镀镍 |
| 2 | JHY1-63端板 | 6042C30XXAV | 2 | PC | 黑色 |
| 1 | JHY1-63本体 | 6042A30XXAV | 3 | PC | 黑色 |
| NO. | NAME OF PART | NO. OF PART | QTY | MATERIAL | NOTES |
| DES. | LDD | DATE | 2012/09/14 | UNITS | mm |
| CHK. | DATE | | SIZE | A4 | THIRD ANGLE PROJECTION |
| APP. | DATE | | SCALE | 1:1 | DWG NO. 6042A30 |
| | | | | TITLE | JHY1-63XX-130-00A |
| | | | | | JHY1-63-产品 |

上海联捷电气有限公司
 Shanghai Elinker Electric CO.,LTD