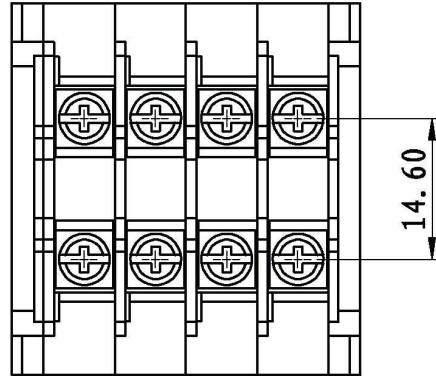
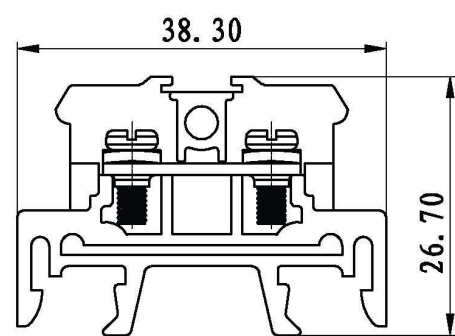
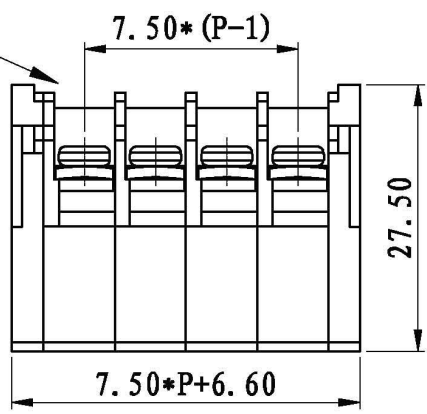


REVISION RECORD			
REV.	CONTENT	MOD.	DATE
▲	初版发行		



技术要求:  
 额定电压: 660V  
 额定电流: 9A  
 螺钉类型/扭力: M3/0.6-0.8  
 绝缘材料类型: PC  
 阻燃等级: V1  
 导线截面: 1mm<sup>2</sup>

备注: 端子上面有透明(防护罩)



TOLERANCES EXCEPT AS NOTED

	linear dimension				fillet	chamfer	∠ short angle sid				≡	—	□	//	⊥		
	to	over 6	over 30	over 120			over 480	to	over 6	to						over 10	over 50
variable range	to 6	to 30	to 120	to 480	all	to 6	to 10	to 50	to 120	to 120	to 120	all	to 5	to 30	to 120	to 120	
tolerance	±0.1	±0.2	±0.3	±0.5	±0.9	±0.2	±0.5	±1	1'	30'	20'	10'	0.3	0.025	0.06	0.12	0.4

5	JHY1-9A-防护罩	6004C00010V	1	PC	透明
4	JHY1-9A-螺丝	SSD0300070V	2P	碳钢	镀锌
3	JHY1-9A-导电件	6004B00010V	P	H62	镀镍
2	JHY1-9A-端板	6004C30XXAV	2	PC	黑色
1	JHY1-9A-本体	6004A30XXAV	P	PC	黑色
NO.	NAME OF PART	NO. OF PART	QTY	MATERIAL	NOTES
DES.	LDD	DATE	2012/09/10	UNITS	mm
CHK.	DATE		SIZE	A4	THIRD ANGLE PROJECTION
APP.	DATE		SCALE	1:1	DWG NO. 6004A30 REV: T0
上海联捷电气有限公司 Shanghai Blinker Electric Co				TITLE	JHY1-9A
					JHY1-9AXX-130-00A