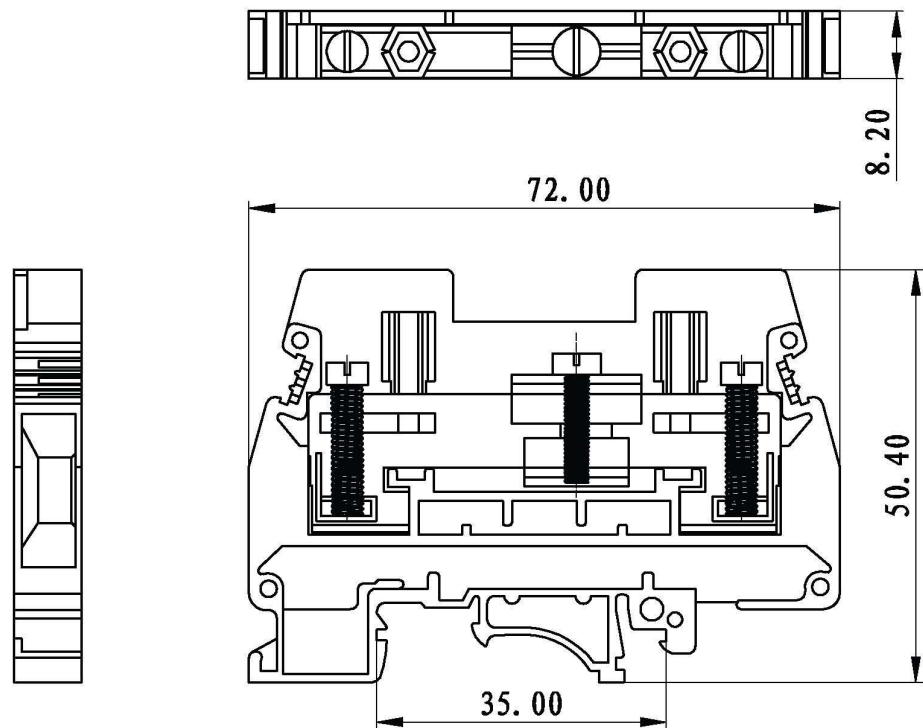


REVISION RECORD			
REV.	CONTENT	MOD.	DATE
▲	初版发行		



技术要求:
 极数: 组装
 额定电压: 400V
 额定电流: 57A
 螺钉类型/扭力: M4/1.2-1.5
 M3/0.6-0.8
 绝缘材料类型: PA
 阻燃等级: V0
 导线截面: 6mm²

TOLERANCES EXCEPT AS NOTED

	linear dimension					fillet	chamfer	∠ short angle sid				≡	— □ // ⊥				
	to	over	over	over	over	all	to	to	to	to	to	to	to	to	to		
variable range	6	30	120	480		6	10	50	120		5	30	120				
tolerance	±0.1	±0.2	±0.3	±0.5	±0.9	±0.2	±0.5	±1	1'	30'	20'	10'	0.3	0.025	0.06	0.12	0.4

6	URTK/S—下滑块	6067B00030V	1	黄铜	镀镍
5	URTK/S—上滑块	6067B00020V	1	黄铜	镀镍
4	URTK/S—螺丝	SSM0400020V	2	碳钢	镀镍
3	URTK/S—滑块螺丝	SSM0300150V	1	碳钢	镀镍
2	URTK/S—导电件	6067B00001V	1	黄铜	镀镍
1	URTK/S—本体	6067A1001AV	1	PA	灰色
NO.	NAME OF PART	NO. OF PART	Q'TY	MATERIAL	NOTES
DES.	LDD	DATE	2012/09/17	UNITS	mm
CHK.		DATE		SIZE	A4
APP.		DATE		SCALE	1:1
				DWG NO.	SP-2-6067001
				REV:	T0
				TITLE	URTK/S-110-00A
					URTK/S-产品

上海联捷电气有限公司
 Shanghai Elinker Electric CO.,LTD