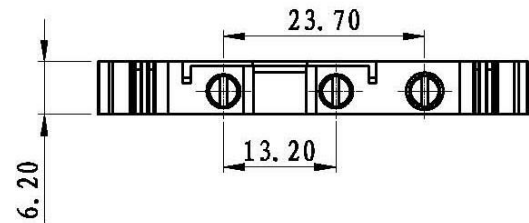
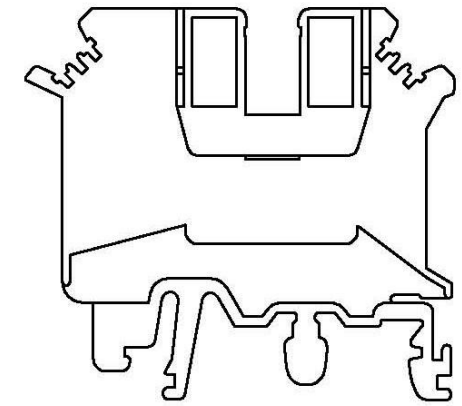
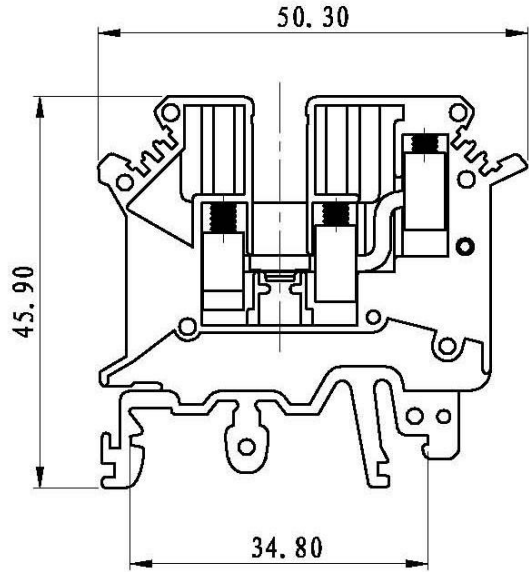


REVISION		RECORD	
REV.	CONTENT	MOD.	DATE
1	初版发行		



技术要求:
 额定电压: 500V
 额定电流: 32A
 螺钉类型/扭力: M3/0.5 N.m
 绝缘材料类型: PA66
 阻燃等级: V0
 线径: 0.2-4mm²



	pitch dimension			Nominal dimension					— /
	over 0 to 6	over 6 to 10	over 10 to 24	over 0 to 30	over 30 to 60	over 60 to 100	over 100 to 150	over 150	
variable range									◇ ○
Tolerance	±0.1	±0.15	±0.25	±0.2	±0.3	±0.5	±0.7	±1.0	0.05/10

NO.	NAME OF PART	NO. OF PART	QTY	MATERIAL	NOTES
DES.	HH	DATE	2016/10/7	UNITS	MM
CHK.		DATE		SIZE	A4
APP.		DATE		SCALE	1:1
				DWG NO.	TITLE
				UK5-TWIN-成品	

上海联捷电气有限公司
 Shanghai Elinker Electric C.O.,LTD