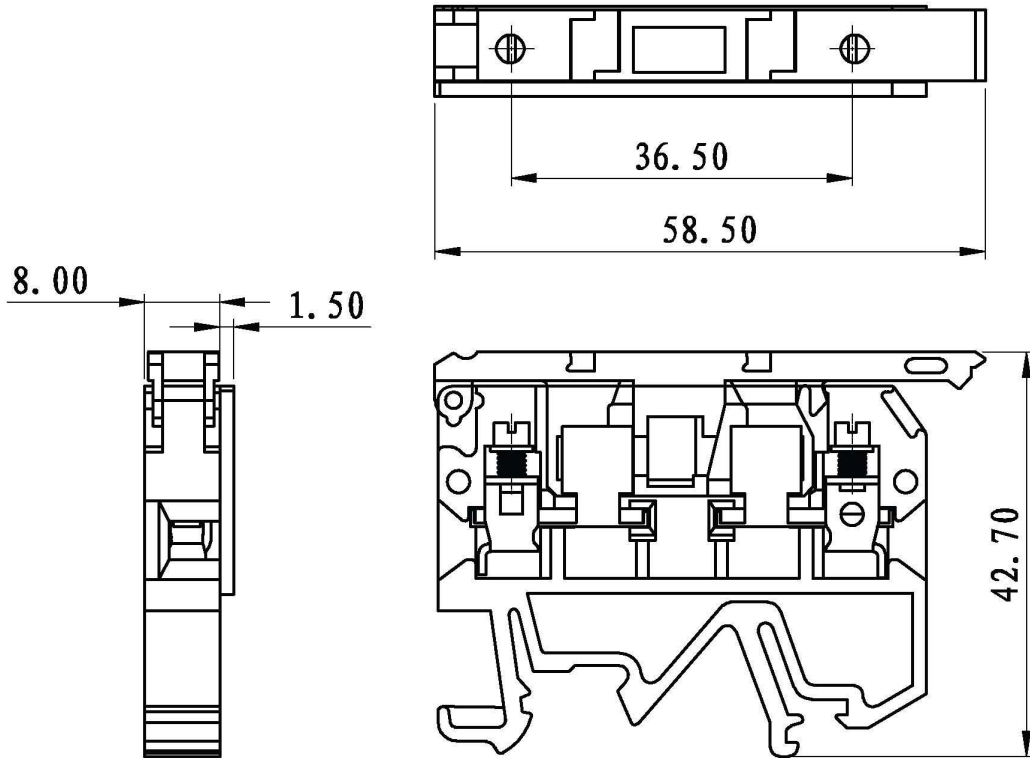


REVISION RECORD			
REV.	CONTENT	MOD.	DATE



技术要求:
极数: 组装
额定电压: 500V
额定电流: A
螺钉类型/扭力: M3/0.6-0.8
绝缘材料类型: PA
阻燃等级: V0
导线截面积: 4mm²

TOLERANCES EXCEPT AS NOTED

variable range	linear dimension				fillet	chamfer	∠ short angle sid				≡	—	□	//	⊥	
	to 6	over 6 to 30	over 30 to 120	over 120 to 480			all	to 6	to 10	to 50						to 120
tolerance	±0.1	±0.2	±0.3	±0.5	±0.2	±0.5	±1	1°	30'	20'	10'	0.3	0.025	0.06	0.12	0.4

5	ASK1EN-方块	F000000400V	2	铁皮	镀锌
4	ASK1EN-螺丝	SSM0300230V	2	碳钢	镀锌
3	ASK1EN-导电件	6086B00010V	2	黄铜	镀镍
2	ASK1EN-端板	6086C5101AV	1	PA	土黄色
1	ASK1EN-本体	6086A5101AV	1	PA	土黄色
NO.	NAME OF PART	NO. OF PART	QTY	MATERIAL	NOTES
DES.	LDD	DATE	2012/09/22	UNITS	mm
CHK.	DATE	DATE	DATE	SIZE	A4
APP.	DATE	DATE	DATE	SCALE	1:1
				TITLE ASK1EN-成品	
SHEET 1 of 1				REV: T0	