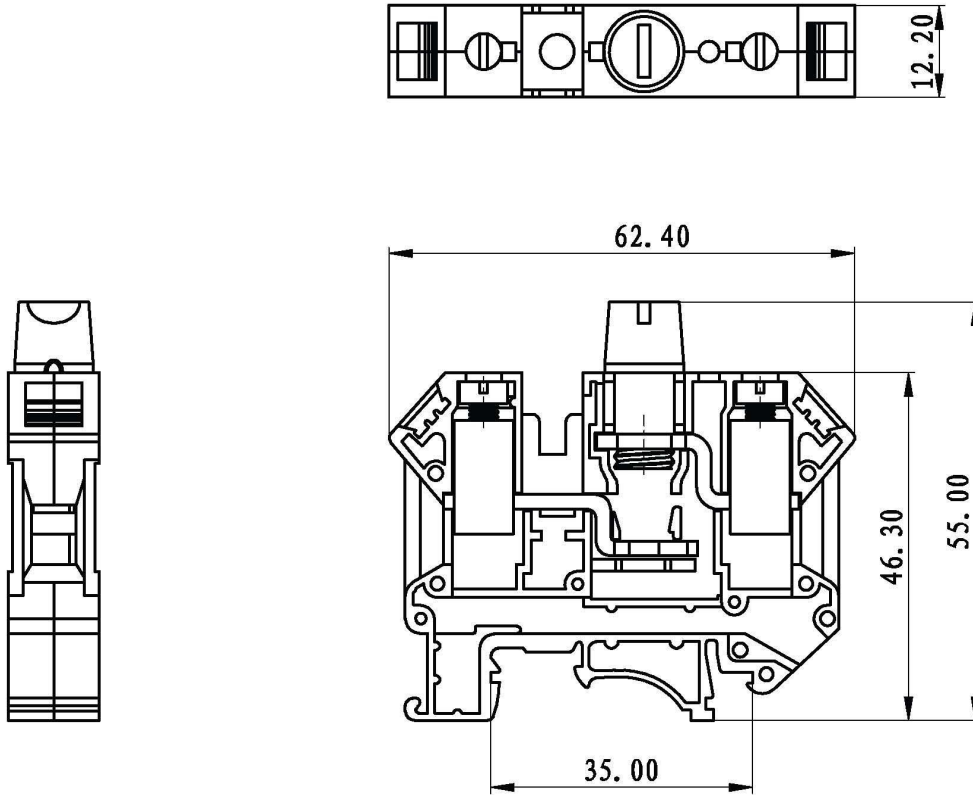


REVISION RECORD			
REV.	CONTENT	MOD.	DATE
▲	初版发行		



技术要求:
 极数: 组装
 额定电压: 800V
 额定电流: 10A
 螺钉类型/扭力: M4/1.5-1.8
 绝缘材料类型: PA
 阻燃等级: V0
 柔性导线: 0.5-16mm²

TOLERANCES EXCEPT AS NOTED

variable range	linear dimension				fillet	chamfer	∠ short angle sid				≡	—	□	//	⊥		
	to 6	over 6 to 30	over 30 to 120	over 120 to 480			to 6	to 10	to 50	to 120						to 5	to 30
tolerance	±0.1	±0.2	±0.3	±0.5	±0.9	±0.2	±0.5	±1	1'	30'	20'	10'	0.3	0.025	0.06	0.12	0.4

6	UK10-DRHESI-保险丝头	6069B00030V	1		配件
5	UK10-DRHESI-方块	F000000470V	2	黄铜	镀镍
4	UK10-DRHESI-螺丝	SSM0400040V	2	碳钢	镀镍
3	UK10-DRHESI-下导电件	6069B00002V	1	黄铜	镀镍
2	UK10-DRHESI-上导电件	6069B00001V	1	黄铜	镀镍
1	UK10-DRHESI-本体	6069A3001AV	1	PA	黑色
NO.	NAME OF PART	NO. OF PART	Q'TY	MATERIAL	NOTES
DES.	LDD	DATE	2012/09/17	UNITS	mm
CHK.	DATE		SIZE	A4	THIRD ANGLE PROJECTION
APP.	DATE		SCALE	1:1	DWG NO. SP-2-6069001
				TITLE	UK10-DRHESI-130-00A
上海联捷电气有限公司 Shanghai Elinker Electric CO.,LTD					UK10-DRHESI-产品

SHEET 1 of 1

REV: T0