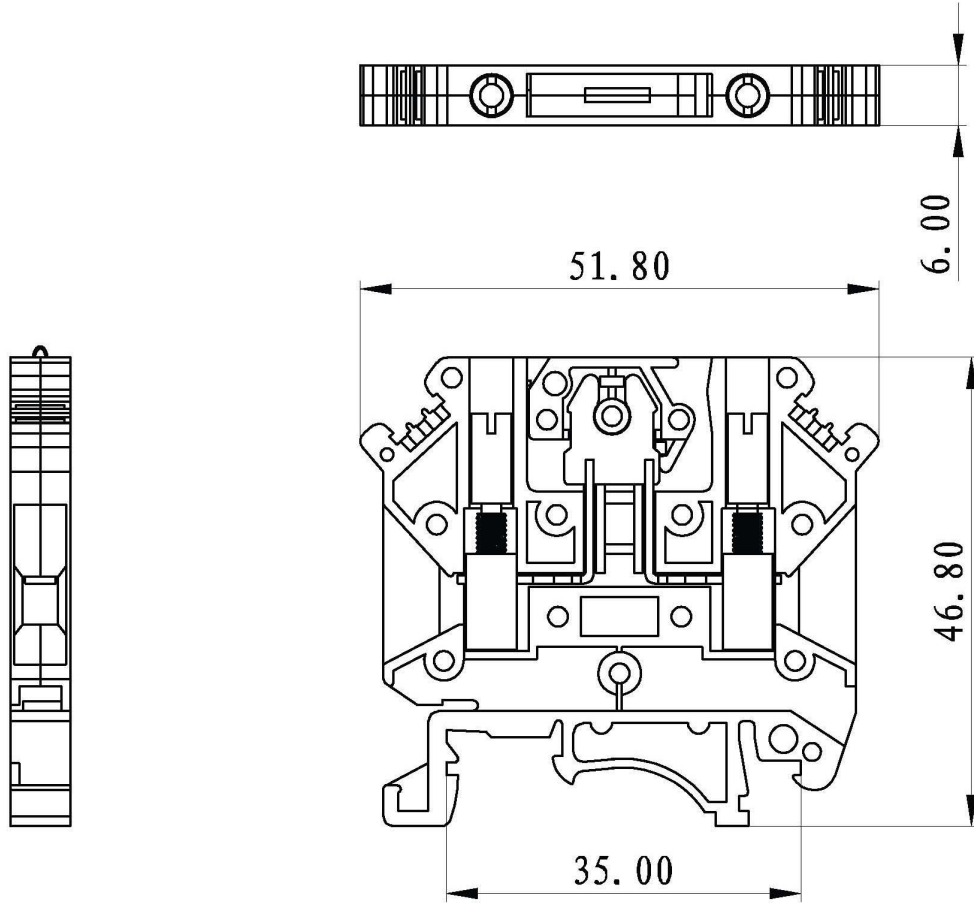


REVISION RECORD			
REV.	CONTENT	MOD.	DATE
▲	初版发行		



技术要求:  
 极数: 组装  
 额定电压: 800V  
 额定电流: 16A  
 螺钉类型/扭力: M3/0.5-0.6  
 绝缘材料类型: PA  
 阻燃等级: V0  
 柔性导线: 0.2-4mm<sup>2</sup>

TOLERANCES EXCEPT AS NOTED

variable range	linear dimension				fillet	chamfer	∠ short angle sid			≡	—	□	//	⊥			
	to 6	over 6 to 30	over 30 to 120	over 120 to 480	all to 6	over 6 to 10	over 10 to 50	over 50 to 120	over 120 to 10'	all to 5	over 5 to 30	over 30 to 120	over 120 to 10'				
tolerance	±0.1	±0.2	±0.3	±0.5	±0.9	±0.2	±0.5	±1	1'	30'	20'	10'	0.3	0.025	0.06	0.12	0.4

6	UK5-MTK-P/P-	6066B10002V	1	PA	红色
5	UK5-MTK-P/P-	6066B00003V	1	黄铜	镀镍
4	UK5-MTK-P/P-方块	6066B00002V	2	黄铜	镀镍
3	UK5-MTK-P/P-螺丝	SSM0300140V	2	碳钢	镀锌
2	UK5-MTK-P/P-导电件	6066B00001V	2	黄铜	镀镍
1	UK5-MTK-P/P-本体	6066A1001AV	1	PA	灰色
NO.	NAME OF PART	NO. OF PART	QTY	MATERIAL	NOTES
DES.	LDD	DATE	2012/09/17	UNITS	mm
CHK.	DATE	SIZE	A4	THIRD ANGLE PROJECTION	
APP.	DATE	SCALE	1:1	DWG NO.	SP-2-6066001
上海联捷电气有限公司 Shanghai Elinker Electric CO.,LTD				TITLE	UK5-MTK-P/P-110-00A UK5-MTK-P/P-产品
					SHEET 1 of 1
					REV: T0