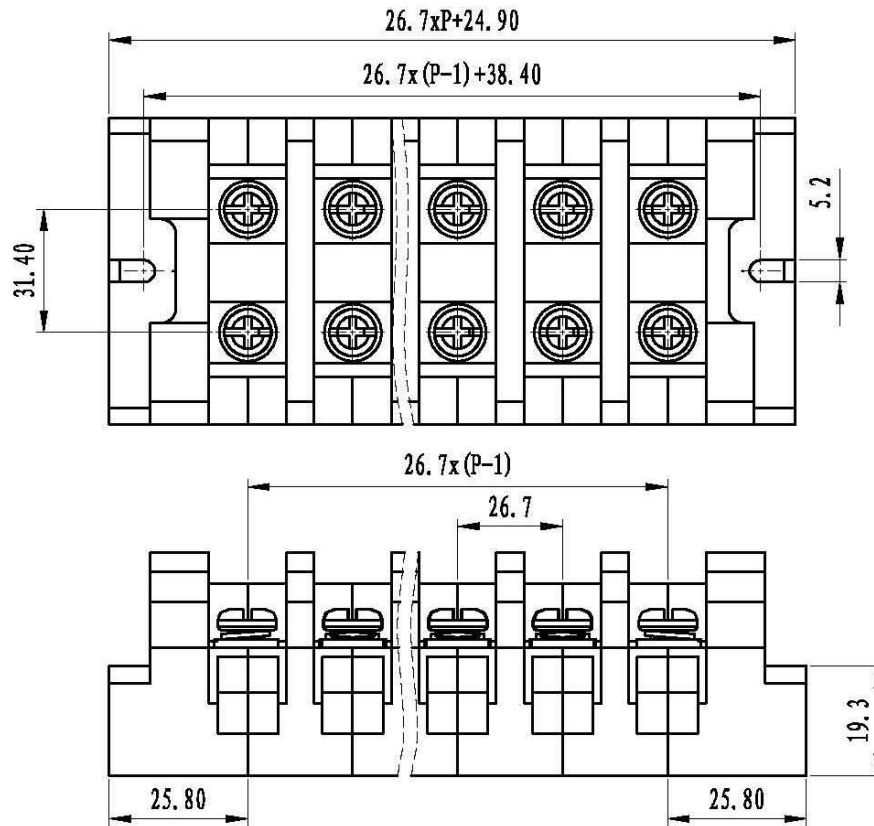
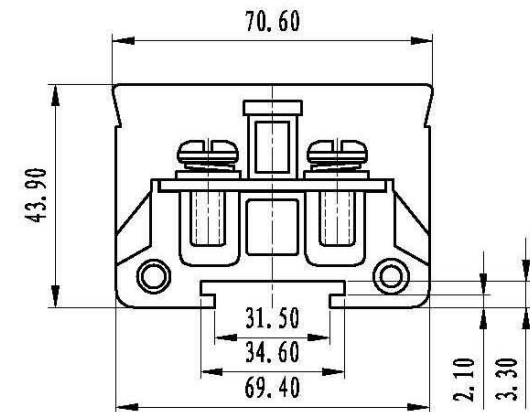


REVISION RECORD			
REV.	CONTENT	MOD.	DATE



电气性能:

1. 额定电压: 600V
2. 额定电流: 150A
3. 螺钉类型/扭力: M8/6.0-10.0Nm
4. 刚/柔性导线: 25-35mm²
5. 材料: PC
6. 级数: 组装



TOLERANCES EXCEPT AS NOTED

variable range	linear dimension				fillet	chamfer	short angle sid				≡	—	□	//	⊥			
	to	over	over	over			to	over	over	over						to	over	over
to 6	to 30	to 120	to 480	to 480	all	to 6	to 10	to 50	to 120	to 10	to 50	to 120	to 10	to 50	to 120	to 10	to 50	to 120
±0.1	±0.2	±0.3	±0.5	±0.9	±0.2	±0.5	±1	1'	30'	20'	10'	0.3	0.025	0.06	0.12	0.4		

7	TR-150螺母	SM80400010V	2	黄铜	镀锌
6	TR-150螺杆	L000400020V	2	铁	镀锌
5	TA-150罩盖	6016C0000AV	1	PC	透明
4	TA-150导电件	SSD0000010V	P	黄铜	镀锌
3	TR-150螺丝	SSD0000010V	2P	碳钢	镀锌
2	TA-150端板	6016C30XXAV	2	PC	黑色
1	TA-150本体	6016A30XXAV	P-1	PC	黑色
NO.	NAME OF PART	NO. OF PART	QTY	MATERIAL	NOTES
DES.	XLM	DATE	2011/2/16	UNITS	mm
CHK.	DATE	SIZE	A4	THIRD ANGLE PROJECT	SHEET
APP.	DATE	SCALE		DWG NO.	1 of 1
上海有乐电气有限公司				TITLE	TA-150-XX-130-00A TA-150成品图