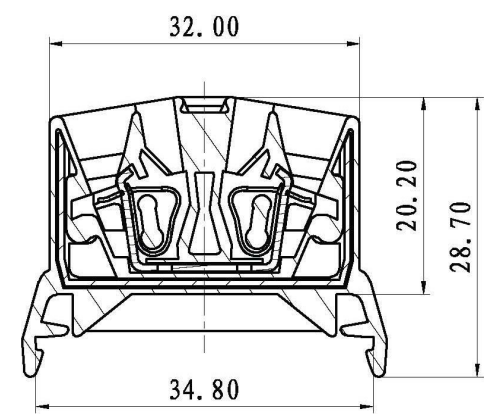
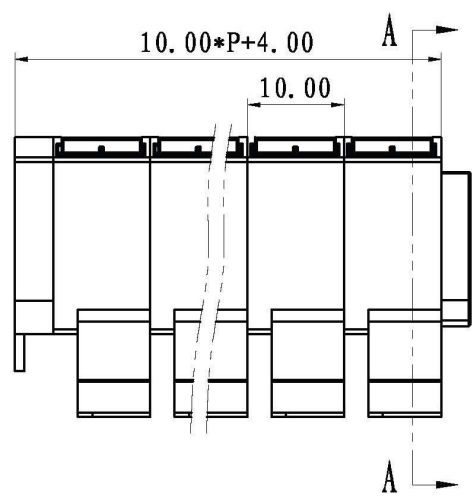
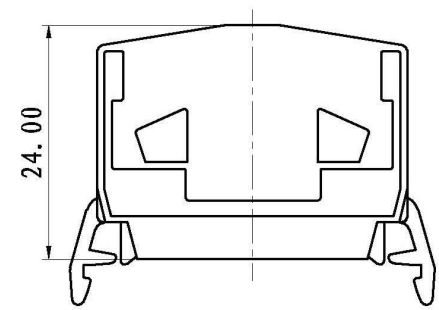
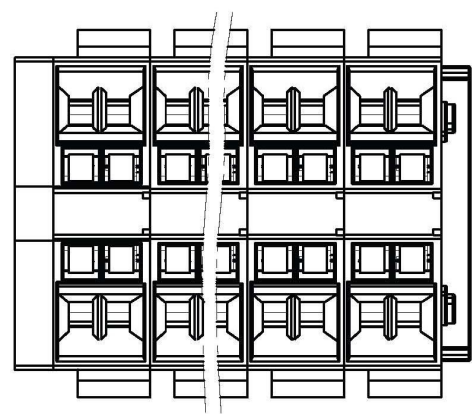


| REVISION RECORD | | | |
|-----------------|---------|------|------|
| REV. | CONTENT | MOD. | DATE |
| ① | 初版发行 | 变更者 | 变更日期 |

- NOTES:**
1. Voltage Rating: 600V, Current Rating: 15A
 2. PITCH: 10.0mm
 3. Using Temperature Range: -40° C - +105° C
 4. Suitable Electric Wire: 28-12AWG
 5. Insulation Withstands Voltage: AC3000V/min

- 技术要求:**
1. 额定电压: 600V, 额定电流: 15A
 2. 间距: 10.0mm
 3. 使用条件: -40° - +105°
 4. 适用线规: 28-16AWG
 5. 耐压值: AC 3000V/min



剖面 A-A

| | pitch dimension | | | Nominal dimension | | | | | — ◇ — |
|----------------|-----------------|-------|-------|-------------------|------|------|------|------|-------------|
| | over | over | over | over | over | over | over | over | |
| variable range | 0 | 6 | 10 | 0 | 30 | 60 | 100 | 150 | ◇ — |
| | to | to | to | to | to | to | to | to | |
| | 6 | 10 | 24 | 30 | 60 | 100 | 150 | | |
| Tolerance | ±0.1 | ±0.15 | ±0.25 | ±0.2 | ±0.3 | ±0.5 | ±0.7 | ±1.0 | 0.05/10 |

| 4 | LSC1-弹片 | F000000250V | 4P | 不锈钢 | |
|------|----------------|-------------|----------|----------|----------------------|
| 3 | MST-2.5/4L-导电件 | 6083B00010V | P | 黄铜 | 镀镍 |
| 2 | MST-2.5/4L-堵板 | 6081C0Y01AV | 1 | PA66 | |
| 1 | MST-2.5/4L-本体 | 6083A0Y01AV | P | PA66 | |
| NO. | NAME OF PART | NO. OF PART | QTY | MATERIAL | NOTES |
| DES. | LDD | DATE | 12/12/29 | UNITS | mm |
| CHK. | | DATE | | SIZE | A4 |
| APP. | | DATE | | SCALE | 1:1 |
| | | | | DWG NO. | SP-1-6083A01 |
| | | | | REV. | Y0 |
| | | | | TITLE | MST-2.5/4L-XX-1Y-00A |
| | | | | | MST-2.5/4L-成品 |

上海联捷电气有限公司
Shanghai Elinker Electric CO.,LTD