

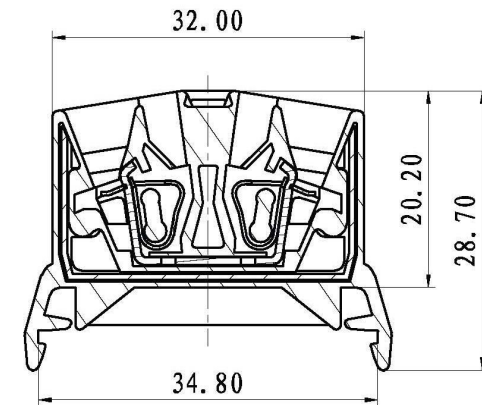
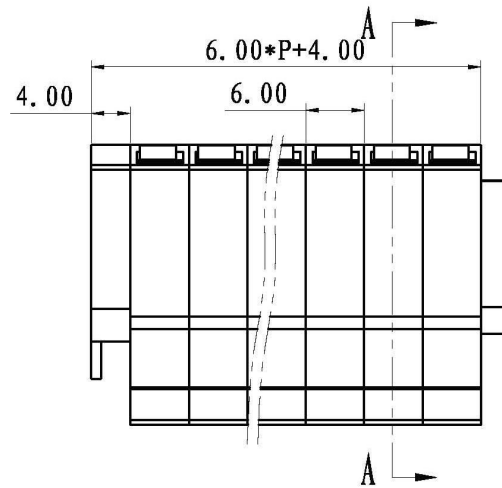
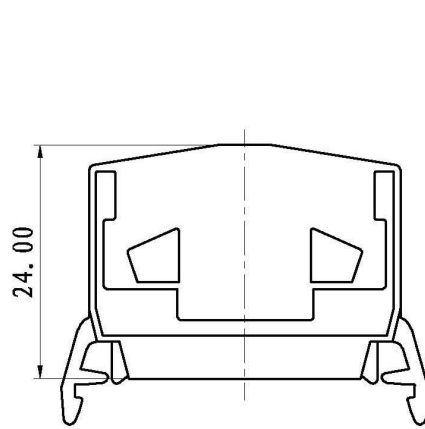
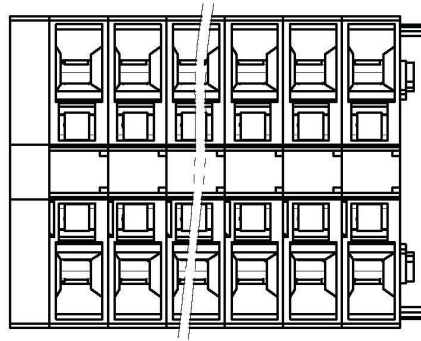
REVISION RECORD			
REV.	CONTENT	MOD.	DATE
△	初版发行	变更者	变更日期

**NOTES:**

1. Voltage Rating: 600V, Current Rating: 15A
2. PITCH: 6.0mm
3. Using Temperature Range: -40° C - +105° C
4. Suitable Electric Wire: 28-12AWG
5. Insulation Withstands Voltage: AC3000V/min

**技术要求:**

1. 额定电压: 600V, 额定电流: 15A
2. 间距: 6.0mm
3. 使用条件: -40° - +105°
4. 适用线规: 28-16AWG
5. 耐电压值: AC 3000V/min



**剖面 A-A**

TOLERANCES EXCEPT AS NOTED

	linear dimension					fillet	chamfer	∠ short angle sid				≡	—	□	//	⊥	
	over 6	over 30	over 120	over 480	all			over 6	over 10	over 50	over 120						all
variable range	to 6	to 30	to 120	to 480	all	to 6	to 10	to 50	to 120	all	to 5	to 30	to 120				
tolerance	±0.1	±0.2	±0.3	±0.5	±0.9	±0.2	±0.5	±1	1°	30'	20'	10'	0.3	0.025	0.06	0.12	0.4

4	LSC1-弹片	F000000250V	2P	不锈钢	
3	MST-2.5-导电件	6062B00010V	P	黄铜	镀镍
<b>2</b>	<b>MST-2.5-端板</b>	<b>6058C0Y01AV</b>	<b>1</b>	<b>PA66</b>	
1	MST-2.5-本体	6062A0Y01AV	P	PA66	
NO.	NAME OF PART	NO. OF PART	Q'TY	MATERIAL	NOTES
DES.	LDD	DATE	12/10/18	UNITS	mm
CHK.		DATE		SIZE	A4
APP.		DATE		SCALE	1:1
				DWG NO.	SP-1-6062A01
				REV.	Y0
				TITLE	MST-2.5-XX-1Y-00A
					MST-2.5-成品


**上海联捷电气有限公司**  
 Shanghai Elinker Electric CO.,LTD