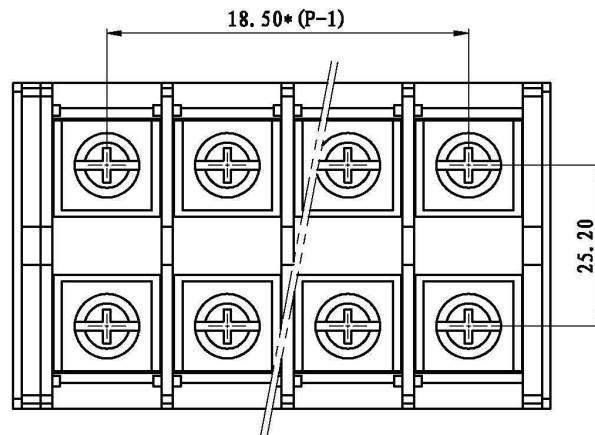
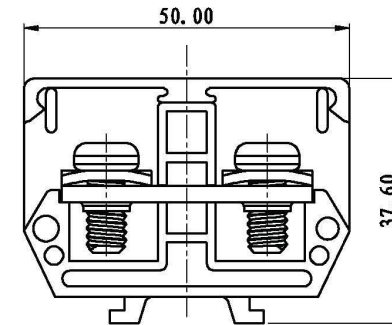
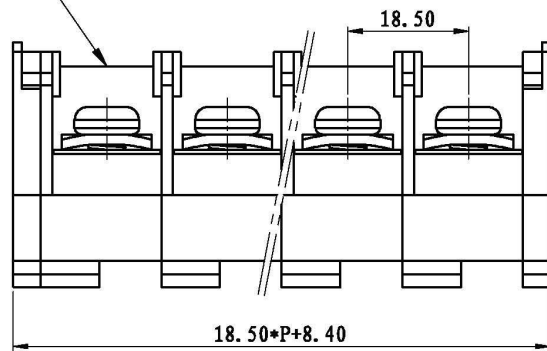


REVISION RECORD			
REV.	CONTENT	MOD.	DATE
△	初版发行		



技术要求:
 极数: 组装
 额定电压: 600V
 额定电流: 101A
 螺钉类型/扭力: M6/3.0-8.0
 绝缘材料类型: PC
 阻燃等级: V1
 导线截面: 25mm^2

备注: 端子上面有透明(防护罩)



TOLERANCES EXCEPT AS NOTED

	linear dimension				fillet	chamfer	\sphericalangle short angle sid			=	—	□	//	⊥			
	variable range	to	over	over			to	to	to						to	to	to
tolerance	±0.1	±0.2	±0.3	±0.5	±0.9	±0.2	±0.5	±1	1'	30'	20'	10'	0.3	0.025	0.06	0.12	0.4

5	JH9-100防护罩	6041C00010V	1	PC	透明
4	JHY1-100螺丝	SSD0600010V	2P	碳钢	镀锌
3	JH9-100导电件	6041B00010V	P	H62	镀镍
2	JH9-100端板	6041B30XXAV	2	PC	黑色
1	JH9-100本体	6041A30XXAV	P	PC	黑色
NO.	NAME OF PART	NO. OF PART	QTY	MATERIAL	NOTES
DES.	LDD	DATE	2012/08/30	UNITS	mm
CHK.		DATE		SIZE	A4
APP.		DATE		SCALE	1:1
				DWG NO.	6041A30
				REV:	T0
				TITLE	JH9-100XX-130-00A
					JH9-100A-产品

上海联捷电气有限公司
 Shanghai Elinker Electric CO.,LTD