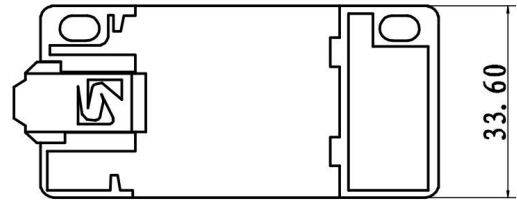
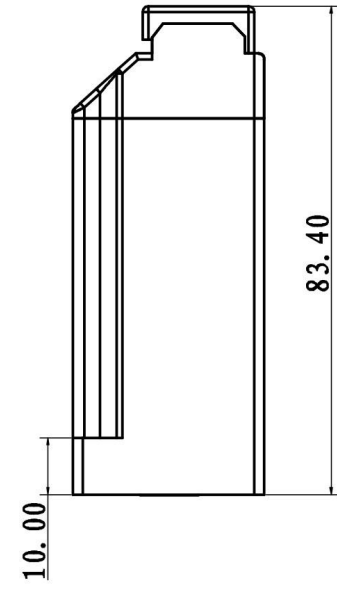
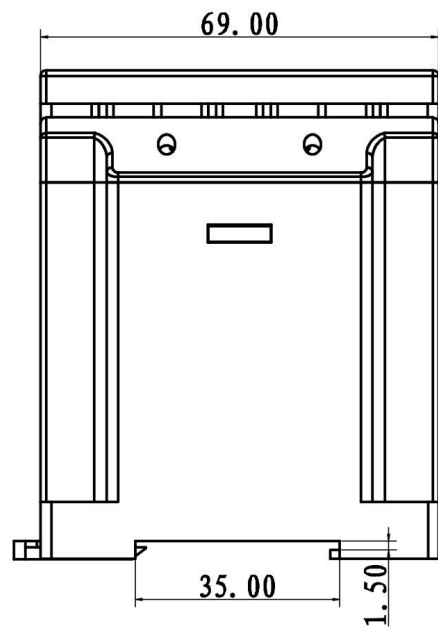
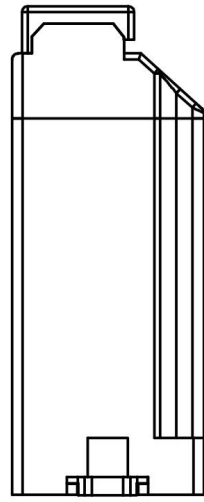
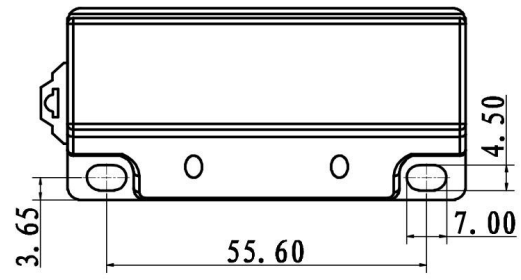


REVISION		RECORD	
REV.	CONTENT	MOD.	DATE
①	出版发行		



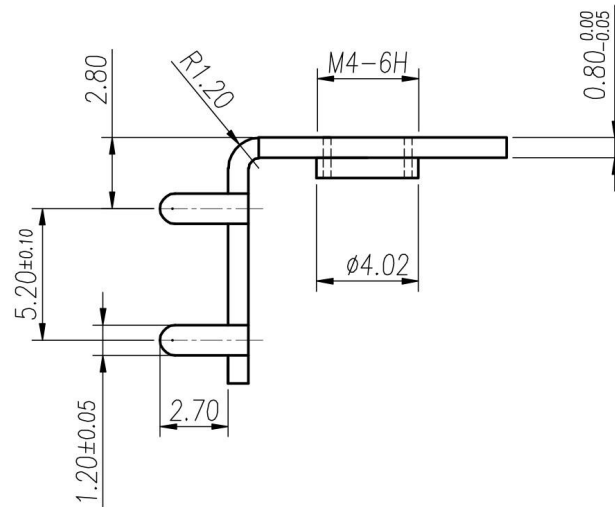
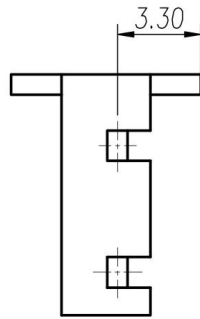
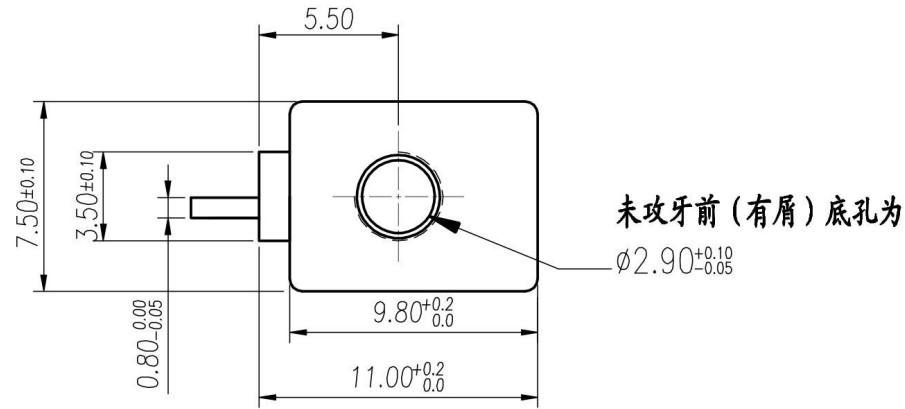
	pitch dimension			Nominal dimension					—
	over 0 to 6	over 6 to 10	over 10 to 24	over 0 to 30	over 30 to 60	over 60 to 100	over 100 to 150	—	
variable range	0 to 6	6 to 10	10 to 24	0 to 30	30 to 60	60 to 100	100 to 150	—	
Tolerance	±0.1	±0.15	±0.25	±0.2	±0.3	±0.5	±0.7	±1.0	0.05/10

1	YK001-KT		1			
NO.	NAME OF PART		NO. OF PART		Q'TY	
DES.	ZTT	DATE	2011/03/09	UNITS	MM	THIRD ANGLE PROJECTION
CHK.		DATE		SIZE	A4	1 of 1
APP.		DATE		SCALE	1:1	DWG NO. SP-1-1020006
上海联捷电气有限公司 Shanghai Elinker Electric CO.,LTD					TITLE	YK001-KT

REVISION RECORD			
REV.	CONTENT	MOD.	DATE
▲	初版发行		

技术要求:

1. 材质: 黄铜H62, 厚度0.8mm
2. 表面镀锌2um以上, 镀锡5um以上.
3. 螺牙扭力矩达到0.8N.m以上, 符合M3-6H的螺纹规检测, 螺牙不能有乱牙、豁牙、滑牙现象
4. 最大毛刺量0.03mm, 冲孔处不能有明显裂痕



TOLERANCES EXCEPT AS NOTED

variable range	linear dimension					fillet	chamfer	∠ short angle sid				≡	—	□	//	⊥	
	to 6	over 6 to 30	over 30 to 120	over 120 to 480	over 480 to	all	to 6	over 6 to 10	over 10 to 50	over 50 to 120	over 120 to	all	to 5	over 5 to 30	over 30 to 120	over 120 to	
tolerance	±0.1	±0.2	±0.3	±0.5	±0.9	±0.2	±0.5	±1	1'	30'	20'	10'	0.3	0.025	0.06	0.12	0.4

1	YK001-DDJ (仪表导电件)	60YKBD01AV	1	黄铜	镀锡
NO.	NAME OF PART	NO. OF PART	QTY	MATERIAL	NOTES
DES.	LDD	DATE	2012/10/14	UNITS	mm
CHK.		DATE		SIZE	A4
APP.		DATE		SCALE	1:1
				DWG NO.	SP-2-7002001
				REV:	V0
上海联捷电气有限公司 Shanghai Elinker Electric CO.,LTD				TITLE	60YKBD01AV
					YK001-DDJ (仪表导电件)