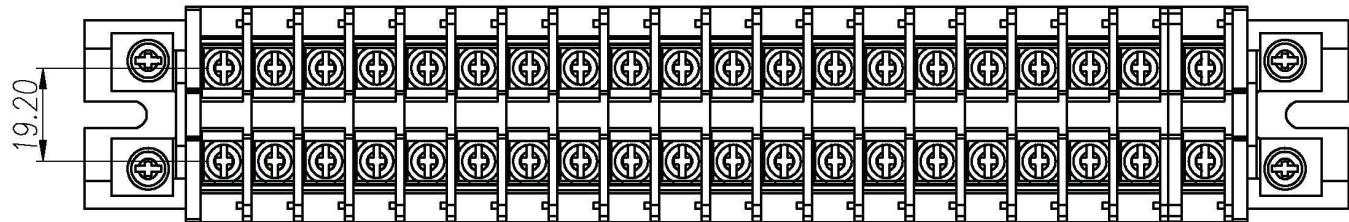
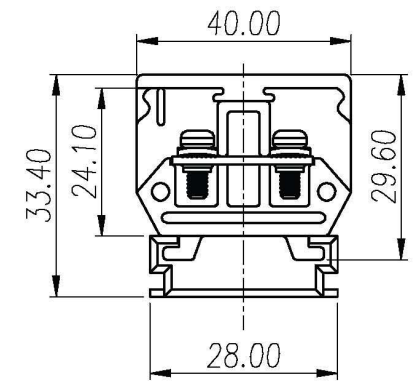
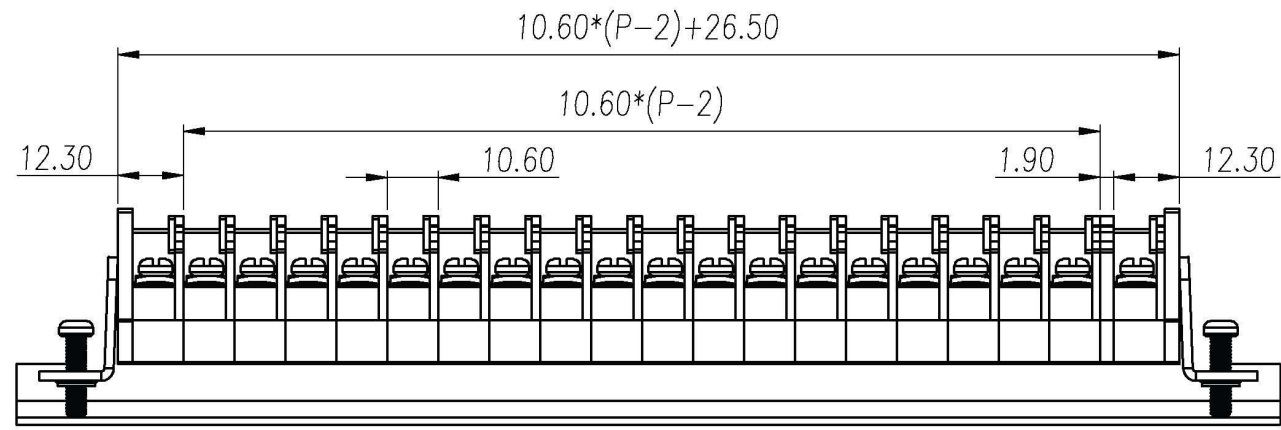


REVISION RECORD			
REV.	CONTENT	MOD.	DATE



技术要求:
 额定电压: 600V
 额定电流: 24A
 耐电压值: AC2000V/min
 绝缘阻抗: 1000MΩ/DC500V
 使用条件: -40℃~+105℃
 适用线规: 2.5mm²
 螺丝规格: M4



TOLERANCES EXCEPT AS NOTED

variable range	linear dimension					fillet	chamfer	∠ short angle sid			≡	—	□	//	⊥	
	to	over	over	over	over		over	over	over	over		over	over	over		
6	30	120	480	480		6	10	50	120		5	30	120			
±0.1	±0.2	±0.3	±0.5	±0.9	±0.2	±0.5	±1	1'	30'	20'	10'	0.3	0.025	0.06	0.12	0.4

NO.	NAME OF PART	NO. OF PART	Q'TY	MATERIAL	NOTES
DES.	LDD	DATE	2012/06/13	UNITS	mm
CHK.		DATE		SIZE	A4
APP.		DATE		SCALE	DWG NO.
上海联捷电气有限公司 Shanghai Elinker Electric CO., LTD					TITLE JH9-25XX-130-00A