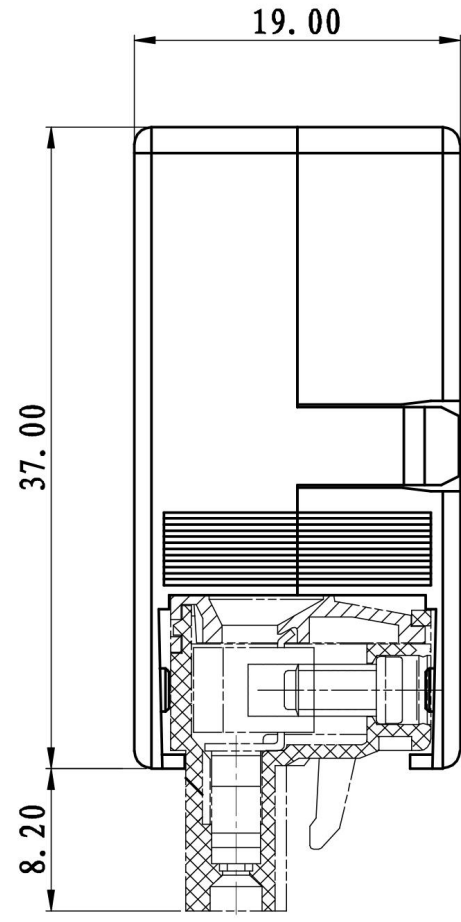
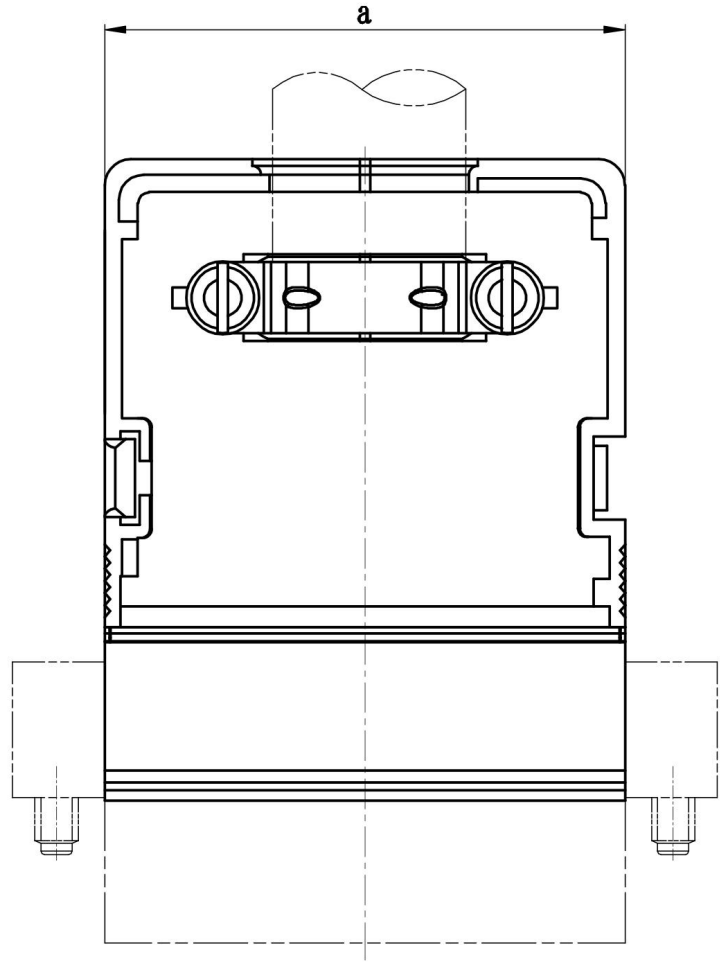


REVISION RECORD			
REV.	CONTENT	MOD.	DATE
①	初版发行		



	pitch dimension			Nominal dimension					— ▭ ⌒
	over 0	over 6	over 10	over 0	over 30	over 60	over 100	over 150	
variable range	to 6	to 10	to 24	to 30	to 60	to 100	to 150		
Tolerance	±0.1	±0.15	±0.25	±0.2	±0.3	±0.5	±0.7	±1.0	0.05/10

1	LZ6-5.08-XXP-140-00A	1	PA66			
NO.	NAME OF PART	NO. OF PART	Q'TY	MATERIAL	NOTES	
DES.	LDD	DATE 17/03/30	UNITS	MM	THIRD ANGLE PROJECTION	SHEET
CHK.		DATE	SIZE	A4	①	1 of 1
APP.		DATE	SCALE	1:1	DWG NO. SP-2-1046A03	REV: V0
上海联捷电气有限公司 Shanghai Elinker Electric C.O., LTD					TITLE	LZ6-5.08-XXP-140-00A LZ6-5.08-XXP-成品