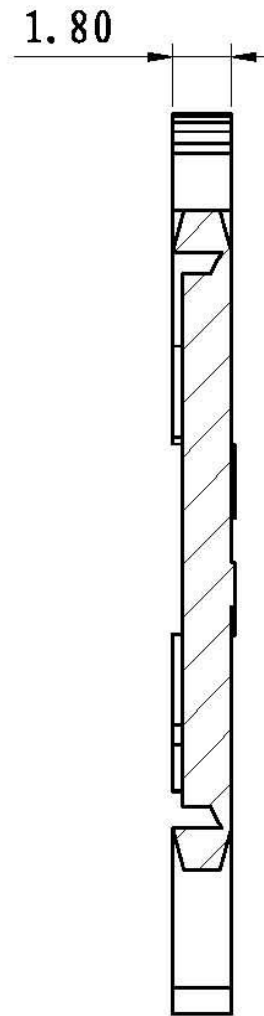
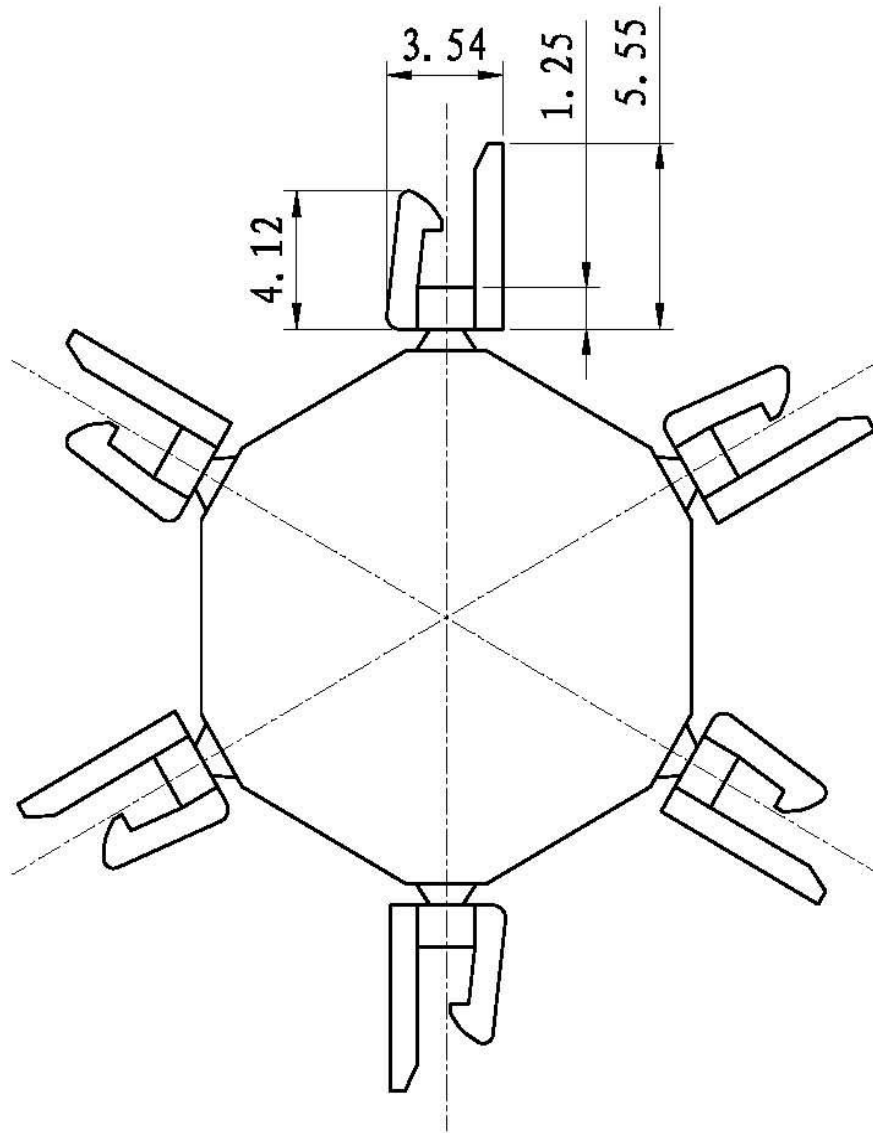


REVISION RECORD			
REV.	CONTENT	MOD.	DATE
△	初版发行		



	pitch dimension			Nominal dimension					—
	over 0	over 6	over 10	over 0	over 30	over 60	over 100	over 150	
variable range	to 6	to 10	to 24	to 30	to 60	to 100	to 150		◇
Tolerance	±0.1	±0.15	±0.25	±0.2	±0.3	±0.5	±0.7	±1.0	○

1	LZ20	1035A0Y01AV	1*6	PA66	红色
NO.	NAME OF PART	NO. OF PART	QTY	MATERIAL	NOTES
DES.	XLM	DATE 2012/03/07	UNITS mm	THIRD ANGLE PROJECT	SHEET
CHK.		DATE	SIZE A4	⊕	1 of 1
APP.		DATE	SCALE 1:1	DWG NO. SP-1-1035001	REV: V0
 上海联捷电气有限公司 Shanghai Elinker Electric CO.,LTD				TITLE	1035A0Y01AV LZ20-成品图