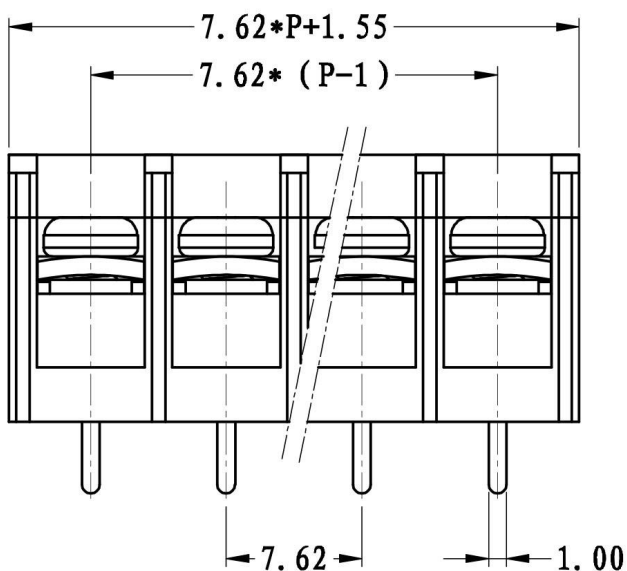
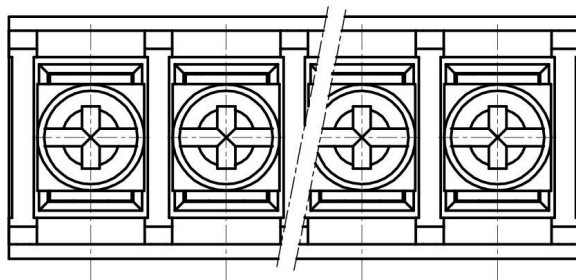


REVISION		RECORD	
REV.	CONTENT	MOD.	DATE
△0	初版发行		

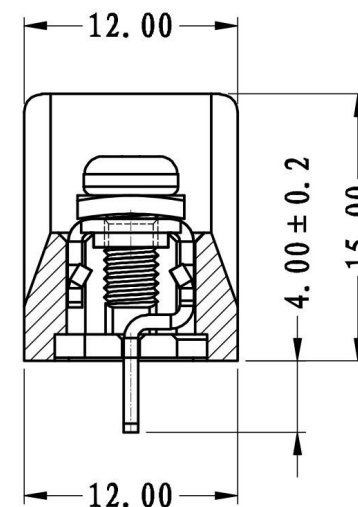


NOTES:

1. Voltage Rating: 300V, Current Rating: 15A
2. PITCH: 7.62mm
3. Insulation Withstands Voltage: AC2500V/min
4. Insulation Resistance: 500MΩ or more at DC1000V
5. Using Temperature Range: -40° C - +130° C
6. Suitable Electric Wire: AWG 22-14
7. Screw Torque Value: M3/0.5 N.m

技术要求:

1. 额定电压: 300V, 额定电流: 15A
2. 间距: 7.62mm
3. 耐电压值: AC 2500V/min
4. 绝缘电阻500兆欧
5. 使用条件: -40° - +130°
6. 适用线规: AWG 22-14
7. 螺丝扭力: M3/ 0.5 N.m



	pitch dimension			Nominal dimension					— /
	over 0	over 6	over 10	over 0	over 30	over 60	over 100	over 150	
variable range	to 6	to 10	to 24	to 30	to 60	to 100	to 150		□ ○
Tolerance	±0.1	±0.15	±0.25	±0.2	±0.3	±0.5	±0.7	±1.0	0.05/10

3	LW1-7.62螺丝	SPFFA306023V	P	碳钢	镀锌
2	LW5R-7.62-焊脚	5025B00010V	P	黄铜	镀雾锡
1	LW5-7.62-主体	5025A30XAIV	1	PBT	
NO.	NAME OF PART	NO. OF PART	Q'TY	MATERIAL	NOTES
DES.	LDD	DATE	14-1-2	UNITS	MM
CHK.		DATE		SIZE	A4
APP.		DATE		SCALE	1:1
				DWG NO.	SP-1-5025A01
上海联捷电气有限公司 Shanghai Blinkor Electric C.O.,LTD				TITLE	LW5C-7.62-XP-1Y-00A
					LW5C-7.62-成品
					1 of 1
					REV: V0