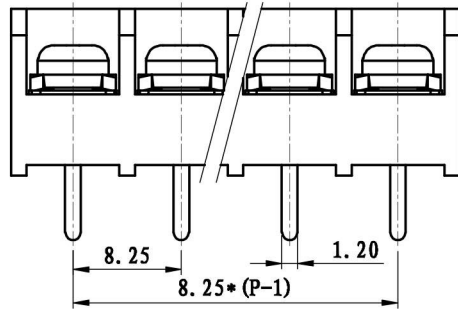
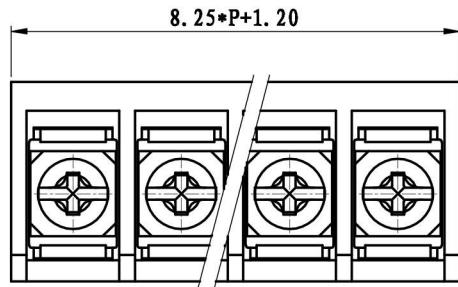
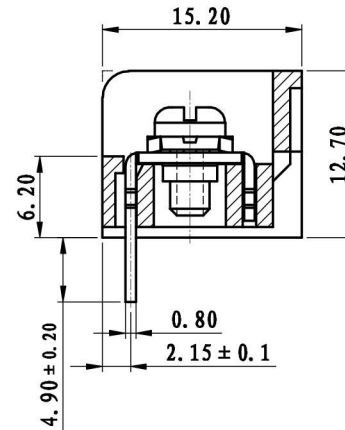


REVISION		RECORD	
REV.	CONTENT	MOD.	DATE
▲	初版发行		



**NOTES:**  
 Pitch : 8.25mm  
 Rated Voltage : 300V  
 Rated Current : 20 A  
 Withstand Voltage :  
 AC2500V for 1 minute  
 Insulation Resistance :  
 500MΩ / DC500V  
 Using Temperature Range :  
 -40℃ ~ +130℃  
 Wire range : 22-12 AWG  
 Screw Torque Value : M3/ 0.5Nm

**技术要求:**  
 间距: 8.25mm  
 额定电压: 300V  
 额定电流: 20A  
 耐电压值: AC2500V/min  
 绝缘阻抗: 500MΩ/DC500V  
 使用条件: -40℃~+130℃  
 适用线规: 22-12 AWG  
 螺丝扭矩: M3/0.5Nm



3.	M3*6 (6.5*6.5)	SQFFA306033V	P	碳钢	镀锌
2.	LW3B-8.25-焊脚	5001B0001AV	P	黄铜	镀雾锡
1.	LW3M-8.25-本体	5001M0YXXAV	1	PBT	
NO.	NAME OF PART	NO. OF PART	Q'TY	MATERIAL	NOTES
DES.	ARKINE	DATE	2010/5/8	UNITS	mm
THIRD ANGLE PROJECTION					
CHK.	DATE	SIZE	A4		
APP.	DATE	SCALE	1:1	DWG NO.	SP-2-5001002
<b>上海联捷电气有限公司</b> <b>Shanghai Hlinker Electric C.O., LTD</b>				TITLE	LW3A-8.25-XXP-1Y-00A LW3A-8.25-成品

	pitch dimension			Nominal dimension					— /
	over 0	over 6	over 10	over 0	over 30	over 60	over 100	over 150	
variable range	to 6	to 10	to 24	to 30	to 60	to 100	to 150		 
Tolerance	±0.1	±0.15	±0.25	±0.2	±0.3	±0.5	±0.7	±1.0	0.05/10