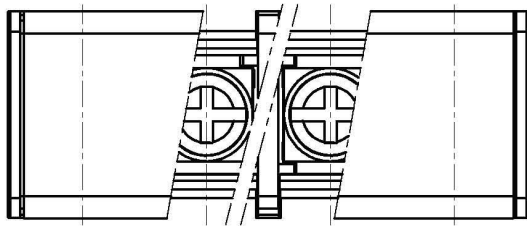
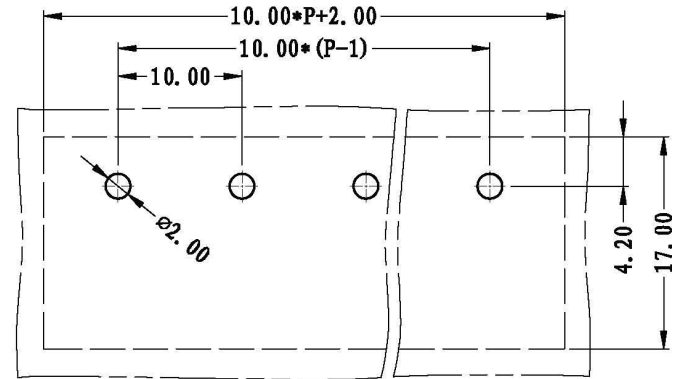
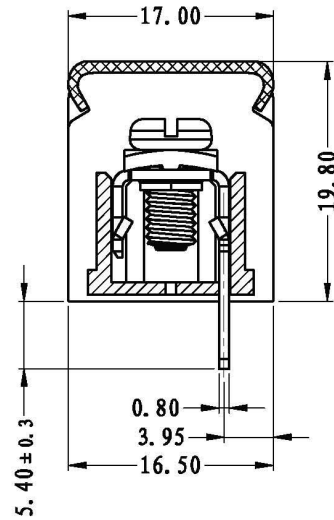
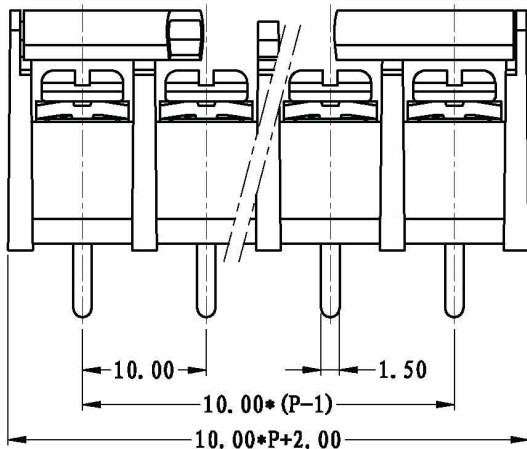


REVISION		RECORD	
REV.	CONTENT	MOD.	DATE
①	初版发行		



NOTES:
 Pitch: 10.0mm
 Rated Voltage: 300V
 Rated Current: 20 A
 Withstand Voltage:
 AC2500V for 1 minute
 Insulation Resistance:
 5MΩ / DC500V
 Using Temperature Range:
 -40℃ ~ +130℃
 Wire range: 22~12 AWG
 Screw Torque Value: 1.2Nm

技术要求:
 间距: 10.0mm
 额定电压: 300V
 额定电流: 20A
 耐电压值: AC2500V/min
 绝缘阻抗: 5MΩ/DC500V
 使用条件: -40℃~+130℃
 适用线规: 22~12 AWG
 螺丝扭矩: 1.2Nm



	pitch dimension			Nominal dimension					— /
	over 0	over 6	over 10	over 0	over 30	over 60	over 100	over 150	
variable range	to 6	to 10	to 24	to 30	to 60	to 100	to 150		◇
Tolerance	±0.1	±0.15	±0.25	±0.2	±0.3	±0.5	±0.7	±1.0	0.05/10

4	LW2-9.5-盖板	5013C0YXXAV	1	PC	
3	M4*8-7.5*7.5	SQFFA408043V	P	碳钢	镀锌
2	LW1B-9.5-焊脚	5002B0002AV	P	黄铜	镀厚锡
1	LW2-10.0-本体	5011A0YXXAV	1	PBT	
NO.	NAME OF PART	NO. OF PART	Q'TY	MATERIAL	NOTES
DES.	ARKINE	DATE	11-03-25	UNITS	MM
CHL.		DATE		SIZE	A4
APP.		DATE		SCALE	1:1
				DWG NO.	SP-2-5011002
				REV:	V0
上海联捷电气有限公司 Shanghai Blinker Electric C.O.,LTD				TITLE	LW2B-10.0-XXP-1Y-00A LW2B-10.0-成品