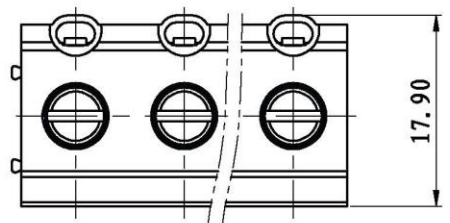
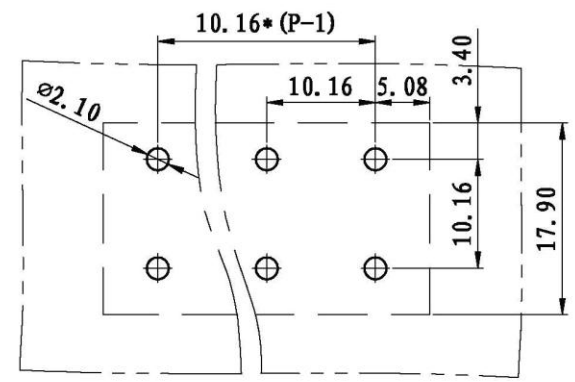
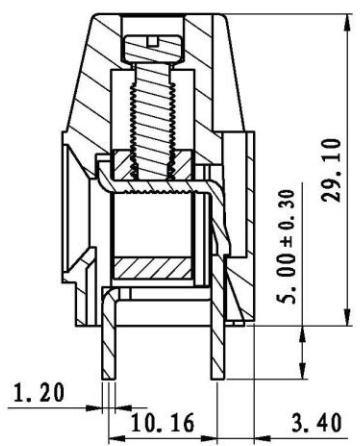
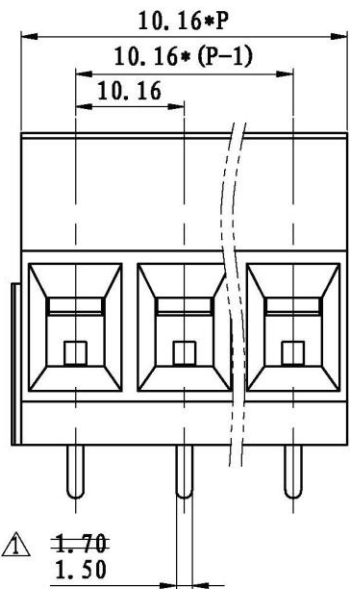


REVISION RECORD			
REV.	CONTENT	MOD.	DATE
①	焊脚宽度变更	LDD	14/04/08



技术要求:
 间距: 10.16mm
 额定电压: 1000V
 额定电流: 57A
 耐电压值: AC3500V/min
 绝缘阻抗: 5000MΩ/DC1000V
 使用条件: -40℃~+105℃
 适用线规: 20~6 AWG
 螺丝扭矩: 1.2N.m

NOTES:
 Pitch: 10.16mm
 Rated Voltage: 1000V
 Rated Current: 57A
 Withstand Voltage:
 AC3500V for 1 minute
 Insulation Resistance:
 5000MΩ / DC1000V
 Using Temperature Range:
 -40℃ ~ +105℃
 Wire range :20 ~6 AWG
 Screw Torque Value : 1.2N.m



	pitch dimension			Nominal dimension					— ◇ ○
	over 0	over 6	over 10	over 0	over 30	over 60	over 100	over 150	
variable range	to 6	to 10	to 24	to 30	to 60	to 100	to 150		
Tolerance	±0.1	±0.15	±0.25	±0.2	±0.3	±0.5	±0.7	±1.0	0.05/10

4	LG1016-螺丝	SPOYA401101V	P	碳钢	镀镍
3	LG1016-方块	F1A0BLG1163V	P	黄铜	镀镍
2	LG1016-焊脚	2069B00010V	P	黄铜	镀雾锡
1	LG1016B-10.16-主体	2070A0YXXAV	1	PA66	UL94V-0
NO.	NAME OF PART	NO. OF PART	QTY	MATERIAL	NOTES
DES.	LDD	DATE	2013/01/28	UNITS	mm
CHK.		DATE		SIZE	A4
APP.		DATE		SCALE	1:1
				DWG NO.	SP-1-2070A01
				REV:	V1
上海联捷电气有限公司 Shanghai Elinker Electric CO.,LTD				TITLE	LG1016B-10.16-XXX-1Y-00A LG1016B-10.16-成品