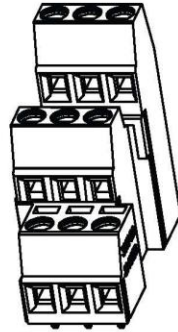
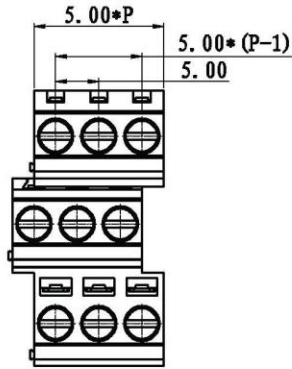
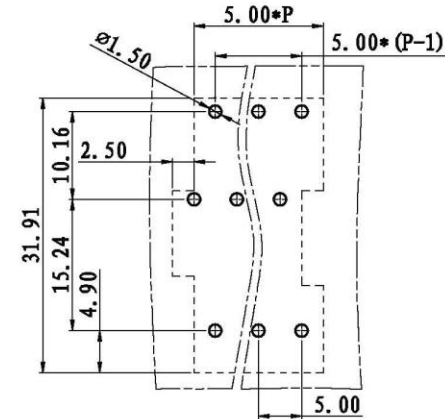
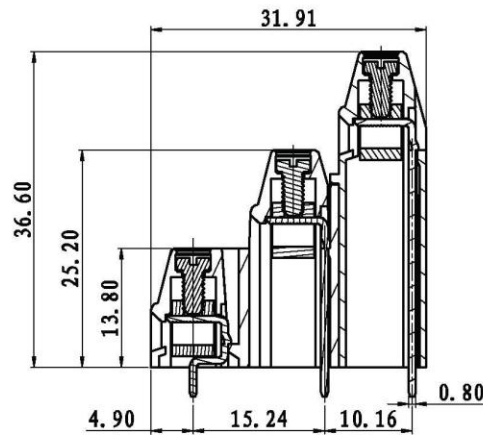
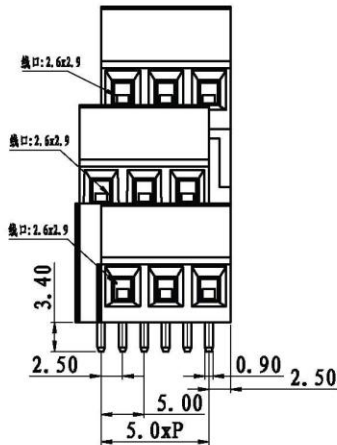


REVISION RECORD			
REV.	CONTENT	MOD.	DATE
△	初版发行	LDD	2011/10/23



NOTES:
 Pitch : 5.0mm
 Rated Voltage : 300 V
 Rated Current : 10A
 Withstand Voltage : AC2500V for 1 minute
 Insulation Resistance : 5MΩ / DC500V
 Using Temperature Range : -40 ℃ ~ +105 ℃
 Wire range : 26 ~ 14 AWG
 Screw Torque Value : 0.4Nm

技术要求:
 间距: 5.0mm
 额定电压: 300V
 额定电流: 10A
 耐电压值: AC2500V/min
 绝缘阻抗: 5MΩ/DC500V
 使用条件: -40℃~+105℃
 适用线规: 26~ 14AWG
 螺丝扭矩: 0.4Nm



7	LC-耳朵螺丝	SP0YA255101V	3P	碳钢	三价铬钝化彩锌
6	LG128-铜方块	F1A0BLG1283V	3P	黄铜	镀镍
5	LG500-长焊脚	2044B0001AV	P	黄铜	镀雾锡
4	LG500-中焊脚	2042B0002AV	P	黄铜	镀雾锡
3	LG128-V焊脚	2013B0001AV	P	黄铜	镀雾锡
2	LG500BH-5.0-主体	2044A0YXXAV	1	PA66	
1	LG500BZL-5.0-主体	2043A0YXXAV	1	PA66	

NO.	NAME OF PART	NO. OF PART	QTY	MATERIAL	NOTES
DES.	DATE	2011/10/23	UNITS	mm	THIRD ANGLE PROJECTION
CHK.	DATE		SIZE	A4	1 of 1
APP.	DATE		SCALE	1:1	DWG NO. SP-2-2043002 REV: V0

上海联捷电气有限公司 Shanghai Elinker Electric CO., LTD	TITLE	LG500BZL-5.0-XP-2Y-00A
		LG500BZL-5.0-成品

	pitch dimension			Nominal dimension					—
	over 0	over 6	over 10	over 0	over 30	over 60	over 100	over 150	
variable range	to 6	to 10	to 24	to 30	to 60	to 100	to 150		◇
	to 6	to 10	to 24	to 30	to 60	to 100	to 150		○
Tolerance	±0.1	±0.15	±0.25	±0.2	±0.3	±0.5	±0.7	±1.0	0.05/10