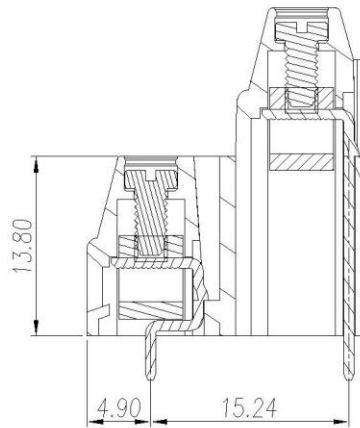
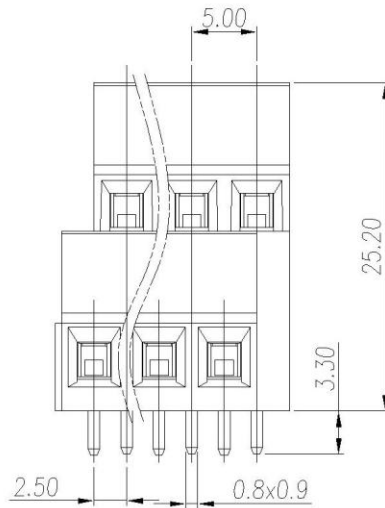
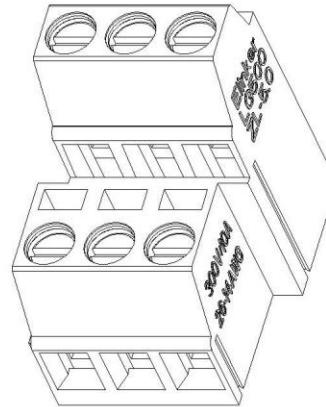
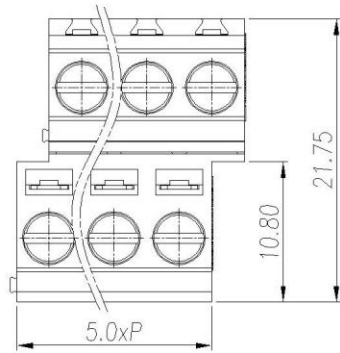


REVISION RECORD			
REV.	CONTENT	MOD.	DATE



NOTES:

Pitch : 5.0mm
 Rated Voltage : 300 V
 Rated Current : 10A
 Withstand Voltage :
 AC2500V for 1 minute
 Insulation Resistance :
 5000MΩ / DC 1000V
 Using Temperature Range :
 - 40℃ ~ + 105℃
 Wire range :26 ~14 AWG
 Screw Torque Value : 0.4Nm

技术要求:

间距: 5.0mm
 额定电压: 300V
 额定电流: 10A
 耐电压值: AC2500V/min
 绝缘阻抗: 5000MΩ/DC1000V
 使用条件: -40℃ ~+105℃
 适用线规: 26~ 14AWG
 螺丝扭矩: 0.4Nm

TOLERANCES EXCEPT AS NOTED

variable range	linear dimension				fillet	chamfer	∠ short angle sid				≡	—	□	//	⊥		
	to 6	over 6 to 30	over 30 to 120	over 120 to 480	all	to 6	over 6 to 10	over 10 to 50	over 50 to 120	to 10	to 50	to 120	all	to 5	over 5 to 30	over 30 to 120	to 120
tolerance	±0.1	±0.2	±0.3	±0.5	±0.9	±0.2	±0.5	±1	1'	30'	20'	10'	0.3	0.025	0.06	0.12	0.4

5	LC-耳朵螺丝	SSM0250010V	2P	碳钢	三价铬钝化彩锌
4	LG128-铜方块	F000000110V	2P	黄铜	镀镍
3	LG500-中焊脚	2042B00020V	P	黄铜	镀雾锡
2	LG128-V焊脚	2013B00010V	P	黄铜	镀雾锡
1	LG500AZL-5.0-主体	2042A0YXXAV	1	PA66	
NO.	NAME OF PART	NO. OF PART	Q'TY	MATERIAL	NOTES
DES.	DATE	2011/10/23	UNITS	mm	THIRD ANGLE PROJECTION
CHK.	DATE		SIZE	A4	⊕ 1 of 1
APP.	DATE		SCALE	2: 1	DWG NO. SP-2-2042001 REV: T0
上海联捷电气有限公司 Shanghai Einker Electric CO., LTD				TITLE	LG500AZL-5.0-XXP-1Y-00A LG500AZL-5.0-成品