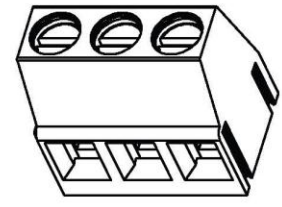
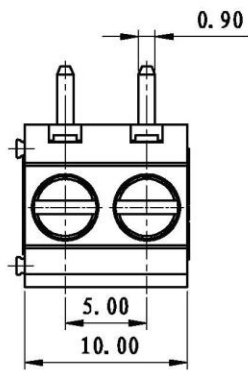
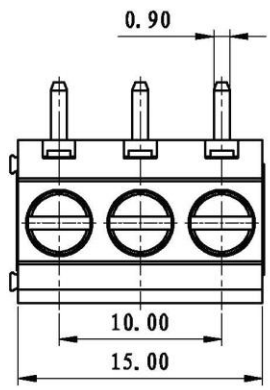
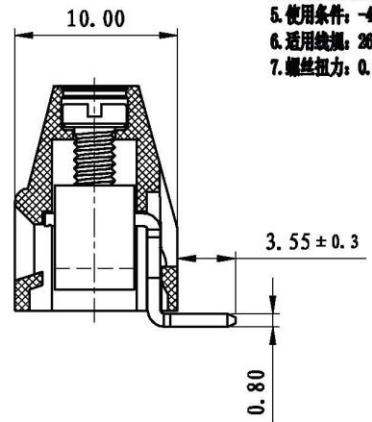
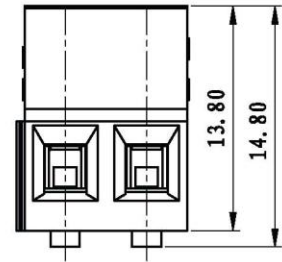
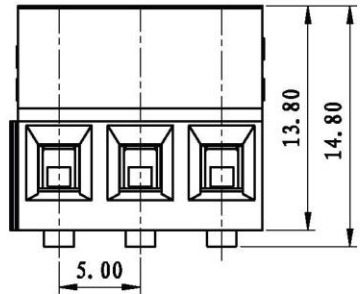


REVISION RECORD			
REV.	CONTENT	MOD.	DATE
△	初版发行		



- NOTES:**
1. Voltage Rating: 300V, Current Rating: 15A
 2. PITCH: 5.0mm
 3. Insulation Withstands Voltage: AC2500V/min
 4. Insulation Resistance:5M Ω or more at DC500V
 5. Using Temperature Range: -40° C~ +105° C
 6. Suitable Electric Wire:26-12AWG
 7. Screw Torque Value: 0.4 N.m

- 技术要求:**
1. 额定电压: 300V, 额定电流: 15A
 2. 间距: 5.0mm
 3. 耐电压值: AC 2500V/min
 4. 绝缘阻抗5兆欧
 5. 使用条件: -40° - +105°
 6. 适用线规: 26-12AWG
 7. 螺丝扭力: 0.4 N.m



	pitch dimension			Nominal dimension					— /
	over 0 to 6	over 6 to 10	over 10 to 24	over 0 to 30	over 30 to 60	over 60 to 100	over 100 to 150	0.05/10	
variable range	0 to 6	6 to 10	10 to 24	0 to 30	30 to 60	60 to 100	100 to 150		
Tolerance	±0.1	±0.15	±0.25	±0.2	±0.3	±0.5	±0.7	±1.0	

4.	LC1-耳朵螺丝	SP07A255301V	P	碳钢	三价铬钝化彩锌
3.	LG128-铜方块	F1A0BLG1283V	P	黄铜	镀镍
2.	LG128R-焊脚	2013B0002AV	P	黄铜	镀雾锡
1.	LG128-5.0-本体(带拼接)	2013A0YXXAVP	I	PA66-V0	
NO.	NAME OF PART	NO. OF PART	Q'TY	MATERIAL	NOTES
DES.	ARKINE	DATE	2011/03/11	UNITS	MM
CHK.		DATE		SIZE	A4
APP.		DATE		SCALE	1:1
				DWG NO.	SP-2-2013001
				REV	V0
上海联捷电气有限公司 Shanghai Elinker Electric Co., Ltd.				TITLE	LG128R-5.0-XP-1Y-00A LG128R-5.0-成品(带拼接)