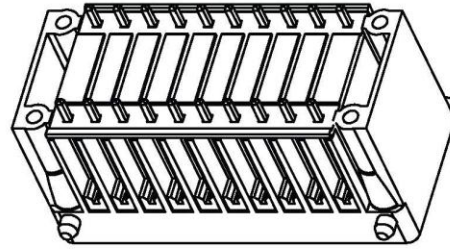
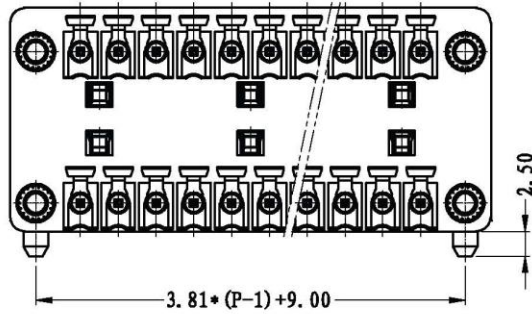
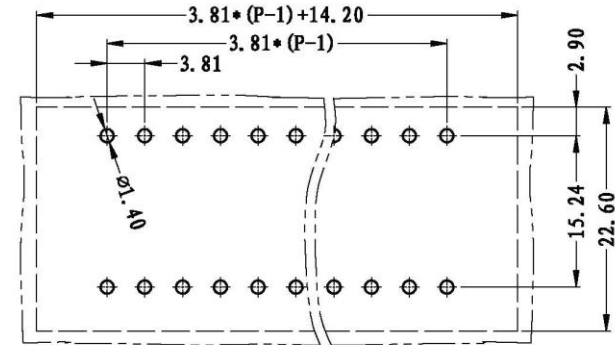
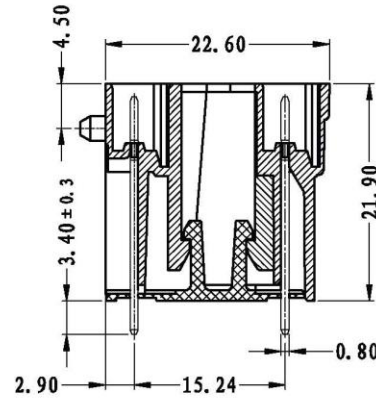
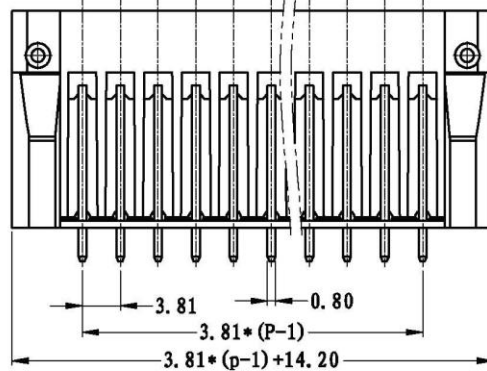


REVISION RECORD			
REV.	CONTENT	MOD.	DATE
△	初版发行		



NOTES:
 Pitch : 3.81mm
 Rated Voltage : 300V
 Rated Current : 8 A
 Withstand Voltage :
 AC2500V for 1 minute
 Insulation Resistance :
 5MΩ / DC500V
 Using Temperature Range :
 -40℃ ~ +105℃

技术要求:
 间距: 3.81mm
 额定电压: 300V
 额定电流: 8A
 耐电压值: AC2500V/min
 绝缘阻抗: 5MΩ/DC500V
 使用条件: -40℃~+105℃



	pitch dimension			Nominal dimension					—
	over 0	over 6	over 10	over 0	over 30	over 60	over 100	over 150	
variable range	to 6	to 10	to 24	to 30	to 60	to 100	to 150		▱
Tolerance	±0.1	±0.15	±0.25	±0.2	±0.3	±0.5	±0.7	±1.0	0.05/10

4	LZ1-耳朵螺母	SMO0B250000V	4	黄铜	
3	LZ3H-3.81-直针	1004B0002AV	2P	黄铜	镀雾锡
2	LZ3H-3.81-盖板	1004C0YXXAV	1	PA66-V0	
1	LZ3HM-3.81-本体	1004M0YXXAV	1	PA66-V0	
NO.	NAME OF PART	NO. OF PART	Q'TY	MATERIAL	NOTES
DBS.	ARKINE	DATE	2010/5/26	UNITS	MM
CHK.	DATE	SIZE	A4	THIRD ANGLE PROJECTION	SHEET
APP.	DATE	SCALE	1: 1	DWG NO.	SP-2-1004004
				TITLE	LZ3VHM-3.81-2*XXP-1Y-00A
					LZ3VHM-3.81-成品

上海联捷电气有限公司
 Shanghai Blinker Electric C.O.,LTD