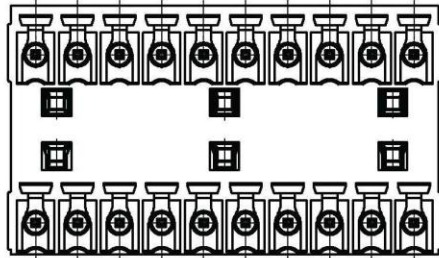
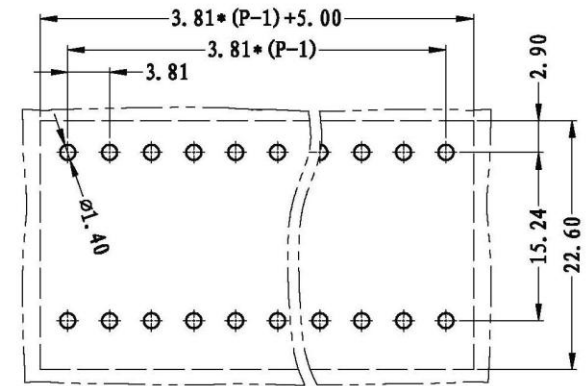
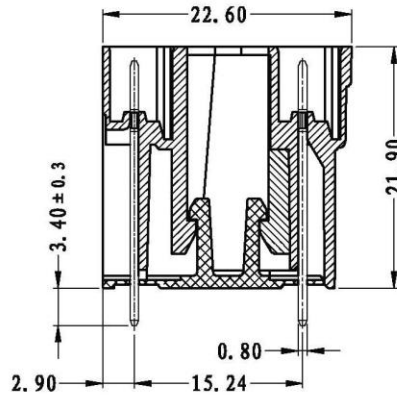
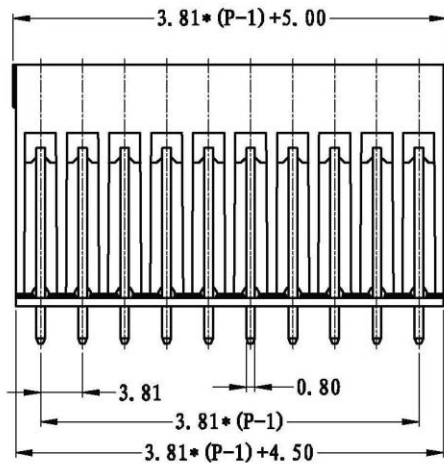


REVISION RECORD			
REV.	CONTENT	MOD.	DATE
△	初版发行		



**NOTES:**  
 Pitch : 3.81mm  
 Rated Voltage : 300V  
 Rated Current : 8 A  
 Withstand Voltage :  
 AC2500V for 1 minute  
 Insulation Resistance :  
 5MΩ / DC500V  
 Using Temperature Range :  
 -40℃ ~ +105℃

**技术要求:**  
 间距: 3.81mm  
 额定电压: 300V  
 额定电流: 8A  
 耐电压值: AC2500V/min  
 绝缘阻抗: 5MΩ/DC500V  
 使用条件: -40℃~+105℃



	pitch dimension			Nominal dimension					—
	over 0	over 6	over 10	over 0	over 30	over 60	over 100	over 150	
variable range	to 6	to 10	to 24	to 30	to 60	to 100	to 150		□
Tolerance	±0.1	±0.15	±0.25	±0.2	±0.3	±0.5	±0.7	±1.0	0.05/10

3.	LZ3H-3.81-直针	1004B0002AV	2P	黄铜	镀厚锡
2.	LZ3H-3.81-盖板	1004C0YXXAV	1	PA66-V0	
1.	LZ3H-3.81-本体	1004A0YXXAV	1	PA66-V0	
NO.	NAME OF PART	NO. OF PART	Q'TY	MATERIAL	NOTES
DES.	ARKINE	DATE	2010/5/26	UNITS	MM
CHK.		DATE		SIZE	A4
APP.		DATE		SCALE	1: 1
				DWG NO.	SP-2-1004003
				REV.	V0
<b>上海联捷电气有限公司</b> <b>Shanghai Blinker Electric C.O.,LTD</b>				TITLE	LZ3VH-3.81-2*XXP-1Y-00A LZ3VH-3.81-成品